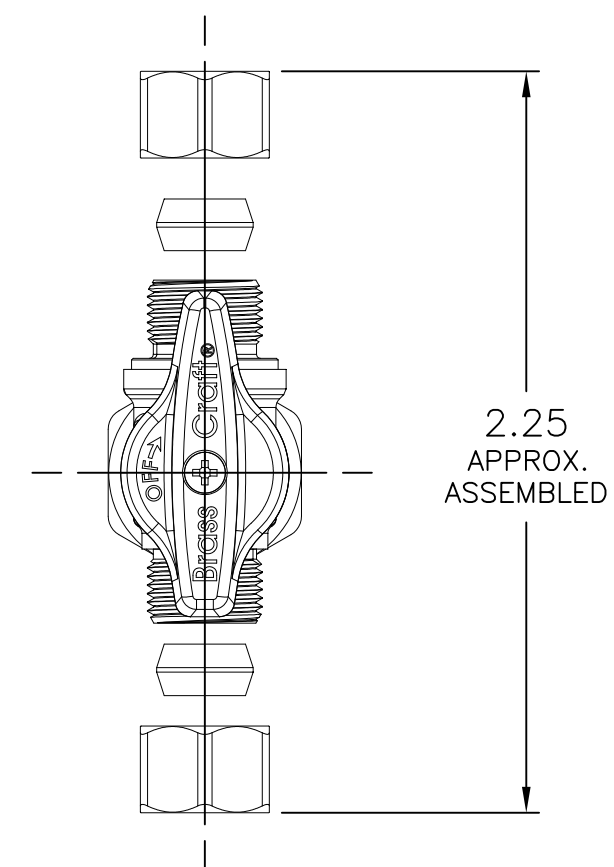
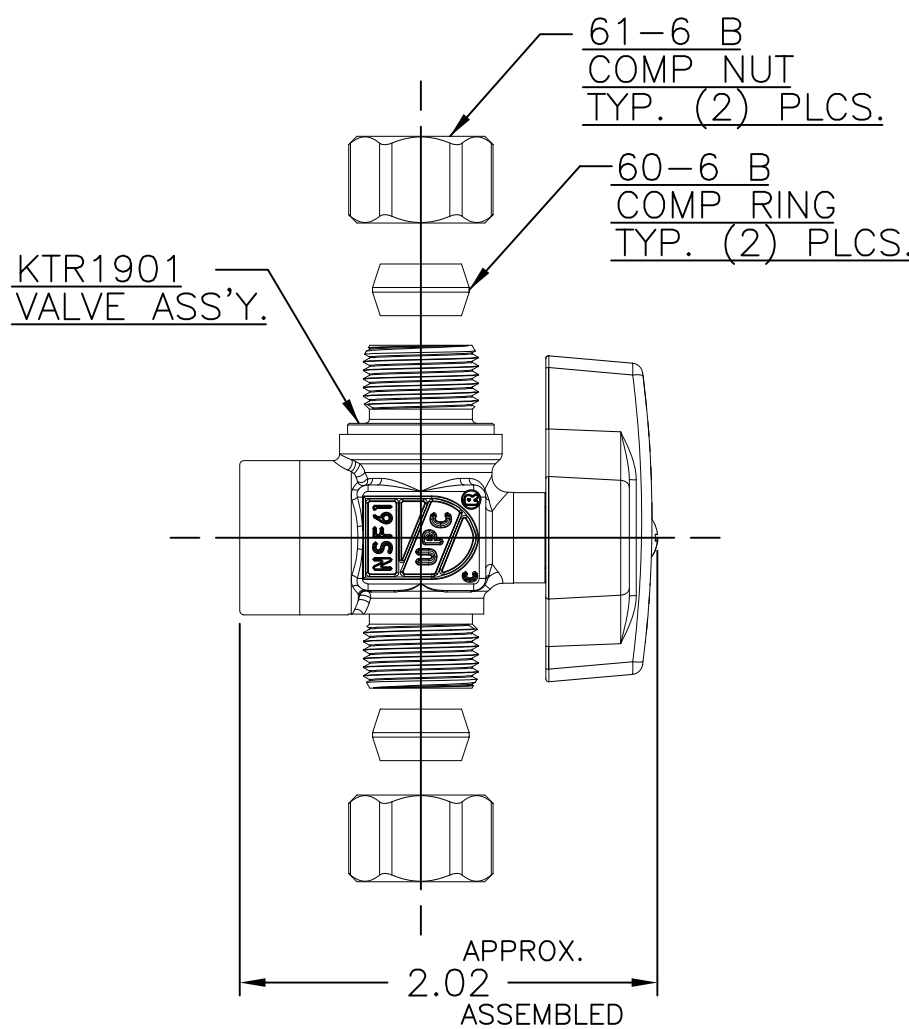


LET.	DATE	PER	BY	CHANGE
------	------	-----	----	--------

A 8/31/09 REQ DCT RELEASE



NOVI, MICHIGAN	
ALL GDT PER ANSI STD Y14.5M CLASSIFICATION OF QUALITY LEVELS	
CLASS	SYMBOL
KPC (KEY PRODUCT CHARACTERISTICS)	◇
STPC (STANDARD PRODUCT CHARACTERISTICS)	△
PRODUCT MARKINGS	○

DESCRIPTION  
1/2 NOM SWEAT X 3/8 OD COMP X 3/8 OD COMP  
DUAL OUTLET BALL STOP (SUBMITTAL)

DRAWN	DATE:	MATERIAL
TISCH	08/31/2009	
CHK'D.	DATE:	VOLUME
Schutte	08/31/2009	
APP'D.	DATE:	

DRAWING NO.  
VPA1151A

ITEM DESCRIPTION  
KTR1901 R1

ITEM ID  
KTR1901 R1

This drawing and all data contained herein is the confidential and exclusive property of BrassCraft Manufacturing, and shall not be disclosed to others without the written consent of BrassCraft. This drawing must be returned to BrassCraft if requested.

NOTE: UNLESS OTHERWISE SPECIFIED  
TWO PLACE DECIMALS +/- .010  
THREE PLACE DECIMALS +/- .005  
ANGULARITY +/- 1°

A SIZE	UNITS	SCALE: (UNLESS NOTED)	REV.
	INCH	FULL	A