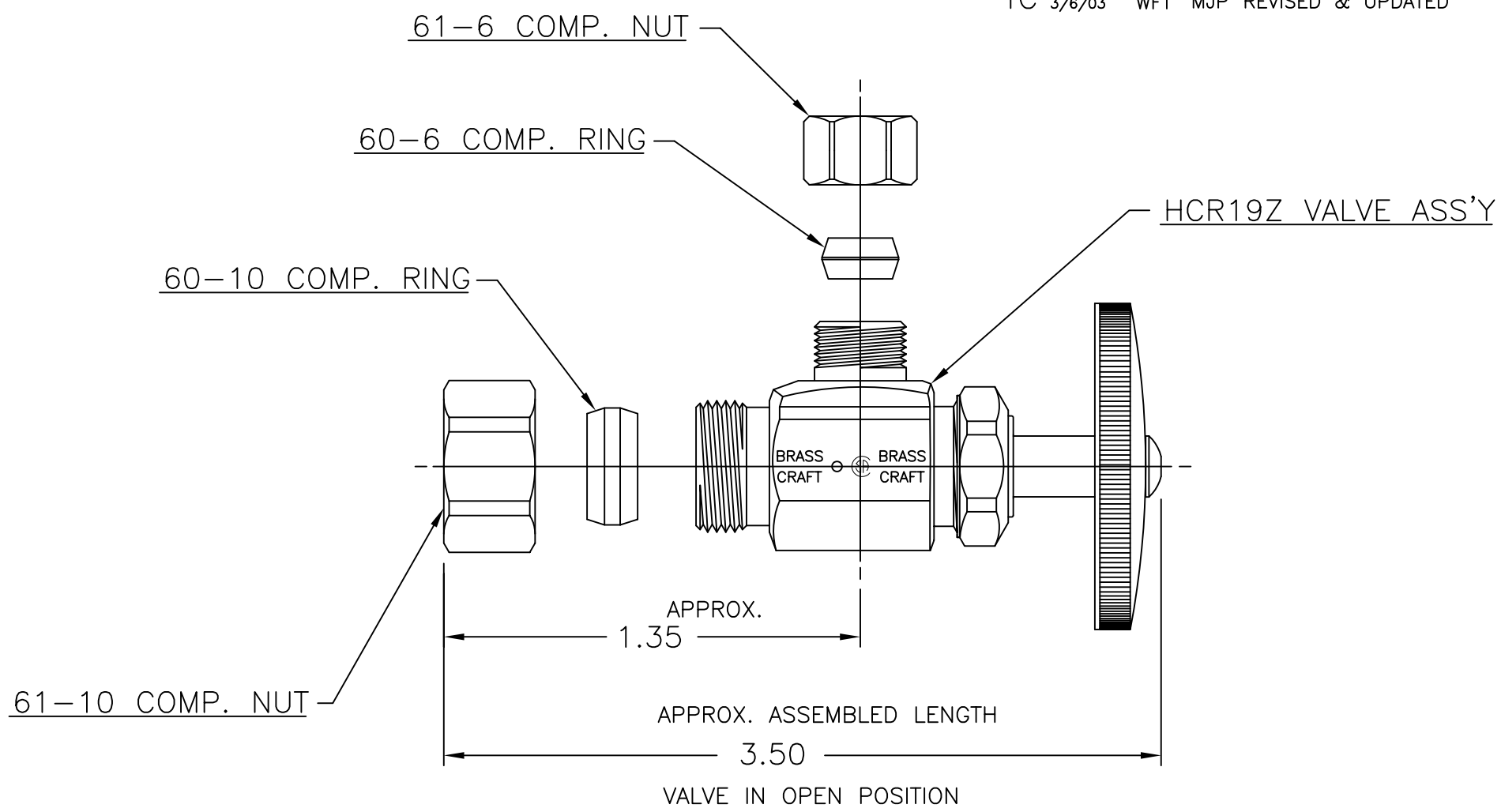


|      |        |     |     |                   |
|------|--------|-----|-----|-------------------|
| LET. | DATE   | PER | BY  | CHANGE            |
| C    | 3/6/03 | WFT | MJP | REVISED & UPDATED |



|   |        |
|---|--------|
| NOVI, MICHIGAN  |        |
| ALL GDT PER ANSI STD Y14.5M<br>CLASSIFICATION OF QUALITY LEVELS |        |
| CLASS   | SYMBOL |
| KPC (KEY PRODUCT CHARACTERISTICS)                               | ◇      |
| STPC (STANDARD PRODUCT CHARACTERISTICS)                         | △      |
| PRODUCT MARKINGS  | ○      |

|  |                     |
|--|---------------------|
| DESCRIPTION<br>1/2 NOM COMP X 3/8 OD COMP<br>HVY PTRN VALVE (SUBMITTAL)  |                     |
| DRAWN<br>PERNAK  | DATE:<br>3/6/2003   |
| CHK'D.<br>Klimkie  | DATE:<br>04/11/2003 |
| APP'D.   | DATE:               |
| NOTE: UNLESS OTHERWISE SPECIFIED<br>TWO PLACE DECIMALS    +/- .010<br>THREE PLACE DECIMALS    +/- .005<br>ANGULARITY    +/- 1° |                     |

|                                  |
|----------------------------------|
| DRAWING NO.<br>VPA0524C          |
| ITEM DESCRIPTION<br>HCR19Z       |
| ITEM ID<br>HCR19Z C              |
| UNITS<br>INCH                    |
| SCALE:<br>(UNLESS NOTED)<br>FULL |
| REV.<br>C                        |

This drawing and all data contained herein is the confidential and exclusive property of BrassCraft Manufacturing, and shall not be disclosed to others without the written consent of BrassCraft. This drawing must be returned to BrassCraft if requested.