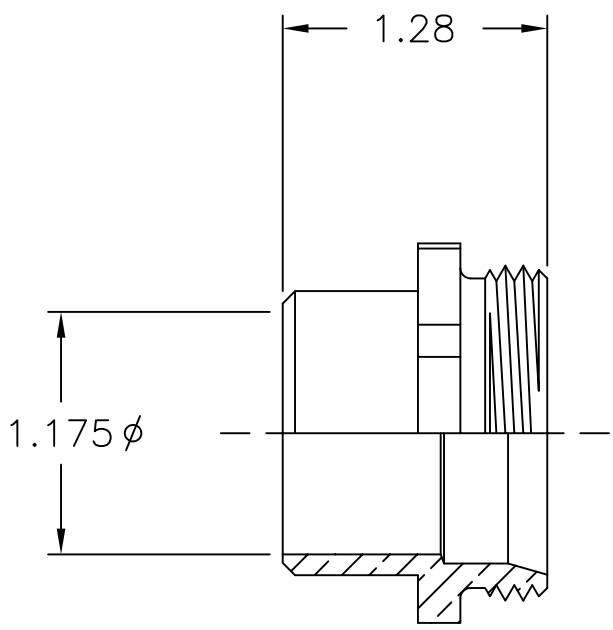
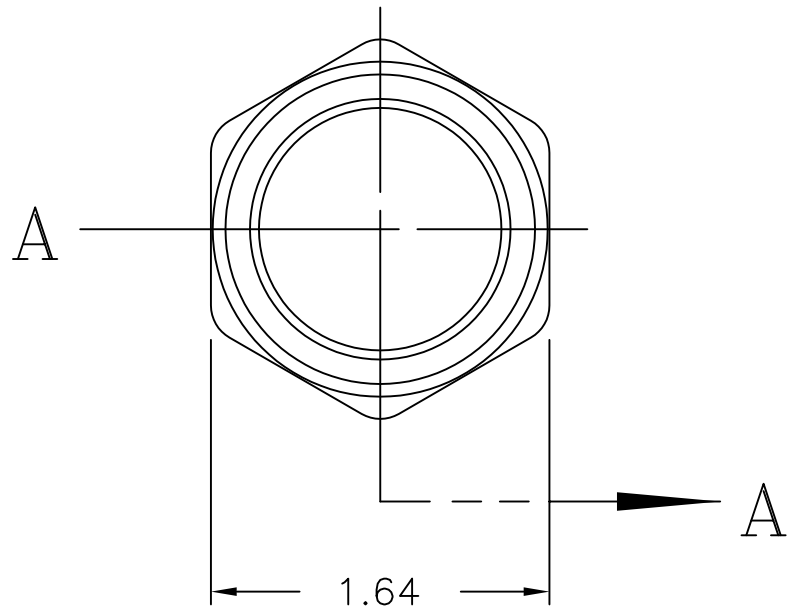


LET.	DATE	PER	BY	CHANGE
A	10/31/03	WFT	MJP	RELEASE



SECTION A-A



NOVI, MICHIGAN

ALL GDT PER ANSI STD Y14.5M
CLASSIFICATION OF QUALITY LEVELS

CLASS	SYMBOL
KPC (KEY PRODUCT CHARACTERISTICS)	◇
STPC (STANDARD PRODUCT CHARACTERISTICS)	△
PRODUCT MARKINGS	○

DESCRIPTION 1 1/4 TUBE x 1 1/4 MALE SWEAT MARVEL CONNECTOR (SUBMITTAL)		DRAWING NO. TUG0116A	
DRAWN PERNAK	DATE: 10/31/2003	MATERIAL	ITEM DESCRIPTION 202-1
CHK'D. Klimkie	DATE: 10/31/2003	VOLUME	ITEM ID 202-1 BT
APP'D.	DATE:	NOTE: UNLESS OTHERWISE SPECIFIED TWO PLACE DECIMALS +/- .010 THREE PLACE DECIMALS +/- .005 ANGULARITY +/- 1°	UNITS INCH
		SCALE: (UNLESS NOTED) FULL	REV. A

This drawing and all data contained herein is the confidential and exclusive property of BrassCraft Manufacturing, and shall not be disclosed to others without the written consent of BrassCraft. This drawing must be returned to BrassCraft if requested.