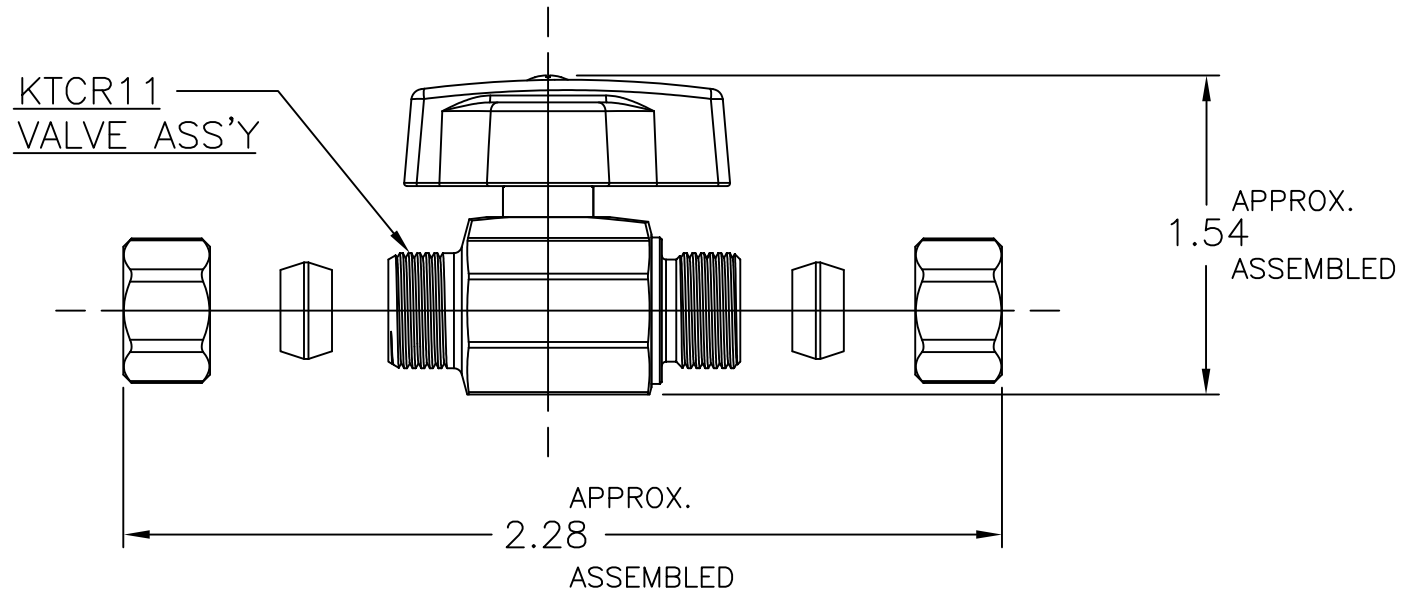
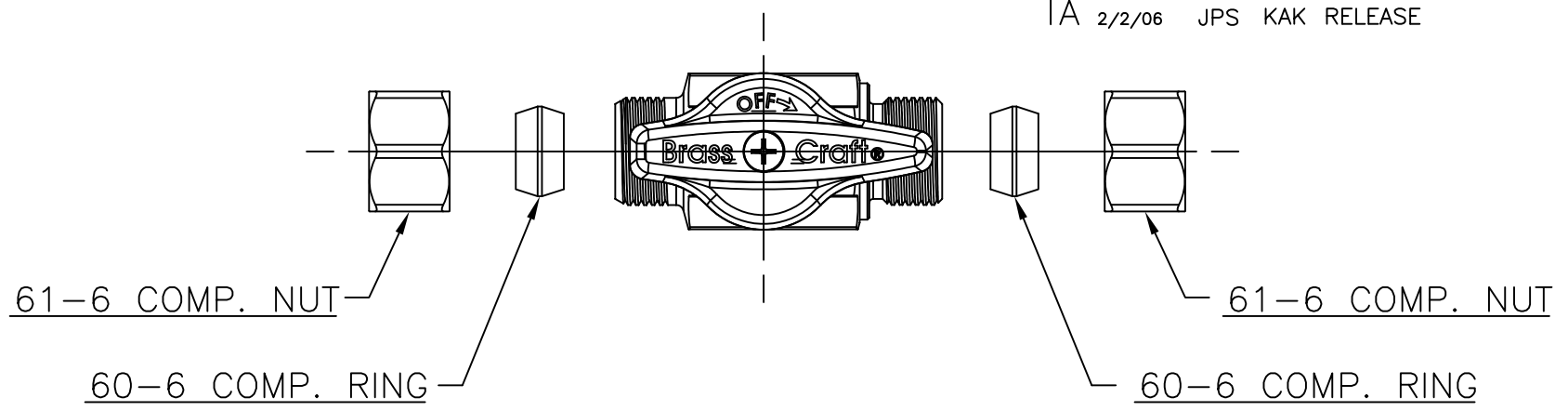


LET.	DATE	PER	BY	CHANGE
A	2/2/06	JPS	KAK	RELEASE



NOVI, MICHIGAN	
ALL GDT PER ANSI STD Y14.5M CLASSIFICATION OF QUALITY LEVELS	
CLASS	SYMBOL
KPC (KEY PRODUCT CHARACTERISTICS)	◇
STPC (STANDARD PRODUCT CHARACTERISTICS)	△
PRODUCT MARKINGS	○

DESCRIPTION 1/4 NOM COMP X 3/8 OD COMP 1/4 TURN STRAIGHT BALL VALVE (SUBMITTAL)	
DRAWN KLIMKIE	DATE: 02/02/2006
CHK'D. Pernak	DATE: 02/02/2006
APP'D.	DATE:
NOTE: UNLESS OTHERWISE SPECIFIED TWO PLACE DECIMALS +/- .010 THREE PLACE DECIMALS +/- .005 ANGULARITY +/- 1°	

DRAWING NO. VPA1053A
ITEM DESCRIPTION KTCR11
ITEM ID KTCR11 C
UNITS INCH
SCALE: (UNLESS NOTED) FULL
REV. A

This drawing and all data contained herein is the confidential and exclusive property of BrassCraft Manufacturing, and shall not be disclosed to others without the written consent of BrassCraft. This drawing must be returned to BrassCraft if requested.