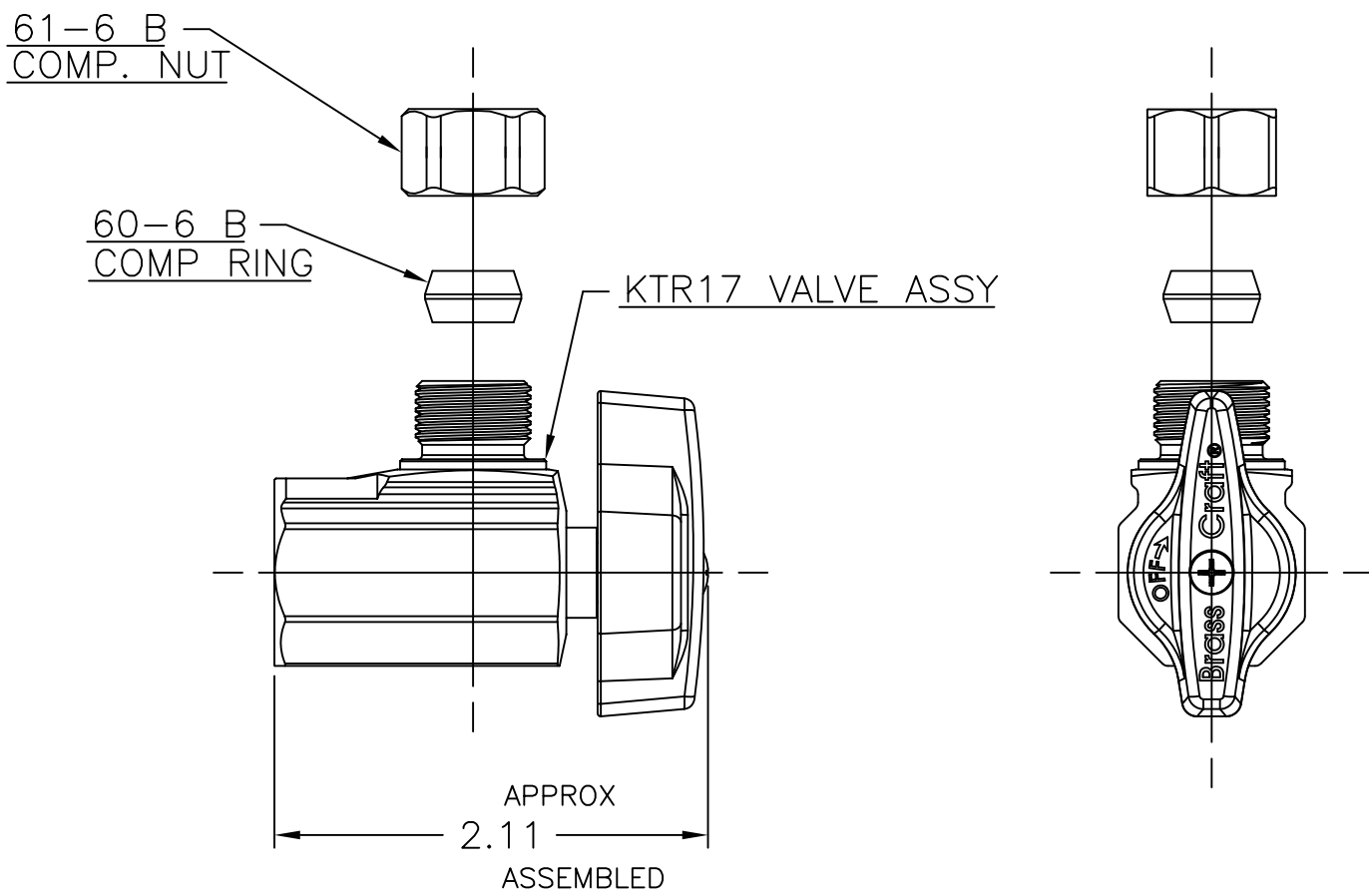


LET.	DATE	PER	BY	CHANGE
B	8/29/03	WFT	KAK	REVISED & UPDATED



<p>NOVI, MICHIGAN</p> <p>ALL GDT PER ANSI STD Y14.5M CLASSIFICATION OF QUALITY LEVELS</p>	DESCRIPTION		DRAWING NO.		
	1/2 FIP X 3/8 OD COMP 1/4 TURN BALL VALVE (SUBMITTAL)		VPA0806B		
	DRAWN: SCHUTTE DATE: 04/04/2001 CHK'D: Green DATE: 09/11/2003	MATERIAL	ITEM DESCRIPTION		
			KTR17		
CLASS: KPC (KEY PRODUCT CHARACTERISTICS) SYMBOL:	APP'D. DATE:	VOLUME	ITEM ID		
CLASS: STPC (STANDARD PRODUCT CHARACTERISTICS) SYMBOL:			KTR17 C		
CLASS: PRODUCT MARKINGS SYMBOL:	NOTE: UNLESS OTHERWISE SPECIFIED TWO PLACE DECIMALS: +/- .010 THREE PLACE DECIMALS: +/- .005 ANGULARITY: +/- 0° 30'		UNITS: INCH	SCALE: (UNLESS NOTED) FULL	REV. B

This drawing and all data contained herein is the confidential and exclusive property of BrassCraft Manufacturing, and shall not be disclosed to others without the written consent of BrassCraft. This drawing must be returned to BrassCraft if requested.