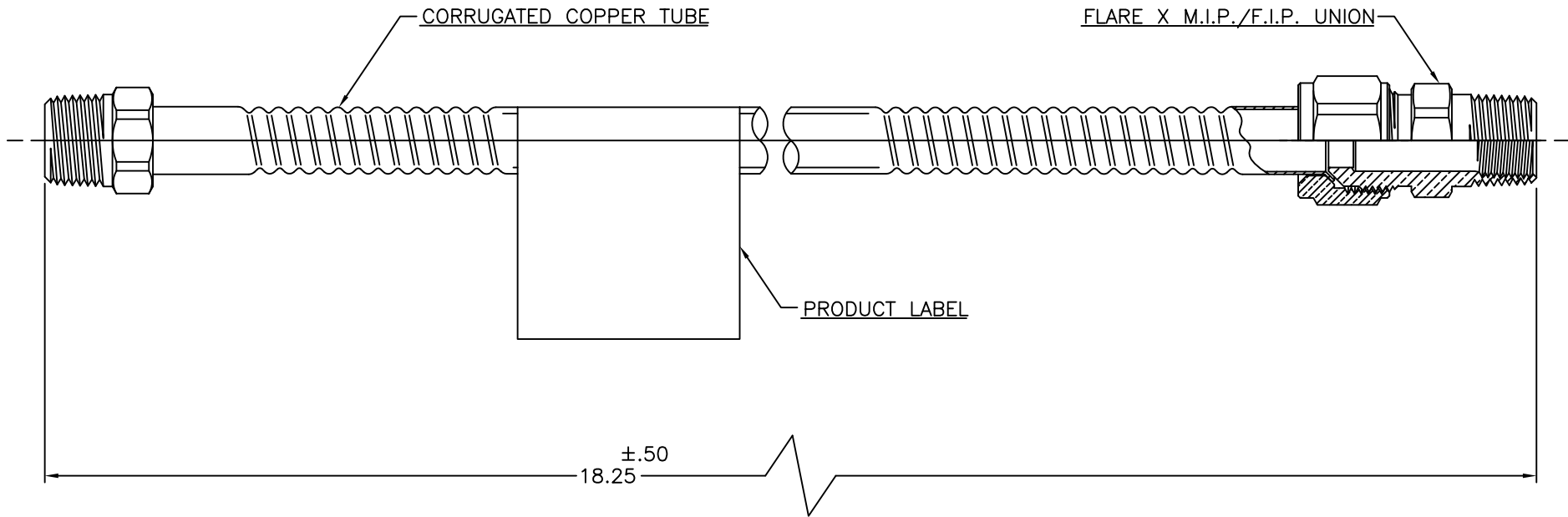





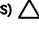
LET.	DATE	PER	BY	CHANGE
A	11/7/07	JPS	KAK	RELEASE



 BrassCraft A Masco Company NOVI, MICHIGAN ALL GDT PER ANSI STD Y14.5M CLASSIFICATION OF QUALITY LEVELS CLASS SYMBOL	DESCRIPTION		DRAWING NO.		
	1/2 M.I.P. X 1/2 M.I.P. UNION KWIK-IN TUB & SHOWER CONNECTOR (SUBMITTAL)		WCG0114A		
	DRAWN	DATE:	MATERIAL	ITEM DESCRIPTION	
	KLIMKIE	11/07/2007		WD44-15	
CHK'D.	DATE:	VOLUME	ITEM ID		
Schutte	11/08/2007		WD44-15		
APP'D.	DATE:				
NOTE: UNLESS OTHERWISE SPECIFIED		 UNITS INCH	SCALE: (UNLESS NOTED) FULL	REV. A	
TWO PLACE DECIMALS					
THREE PLACE DECIMALS					
ANGULARITY					

This drawing and all data contained herein is the confidential and exclusive property of BrassCraft Manufacturing, and shall not be disclosed to others without the written consent of BrassCraft. This drawing must be returned to BrassCraft if requested.

KPC (KEY PRODUCT CHARACTERISTICS) 

STPC (STANDARD PRODUCT CHARACTERISTICS) 

PRODUCT MARKINGS 