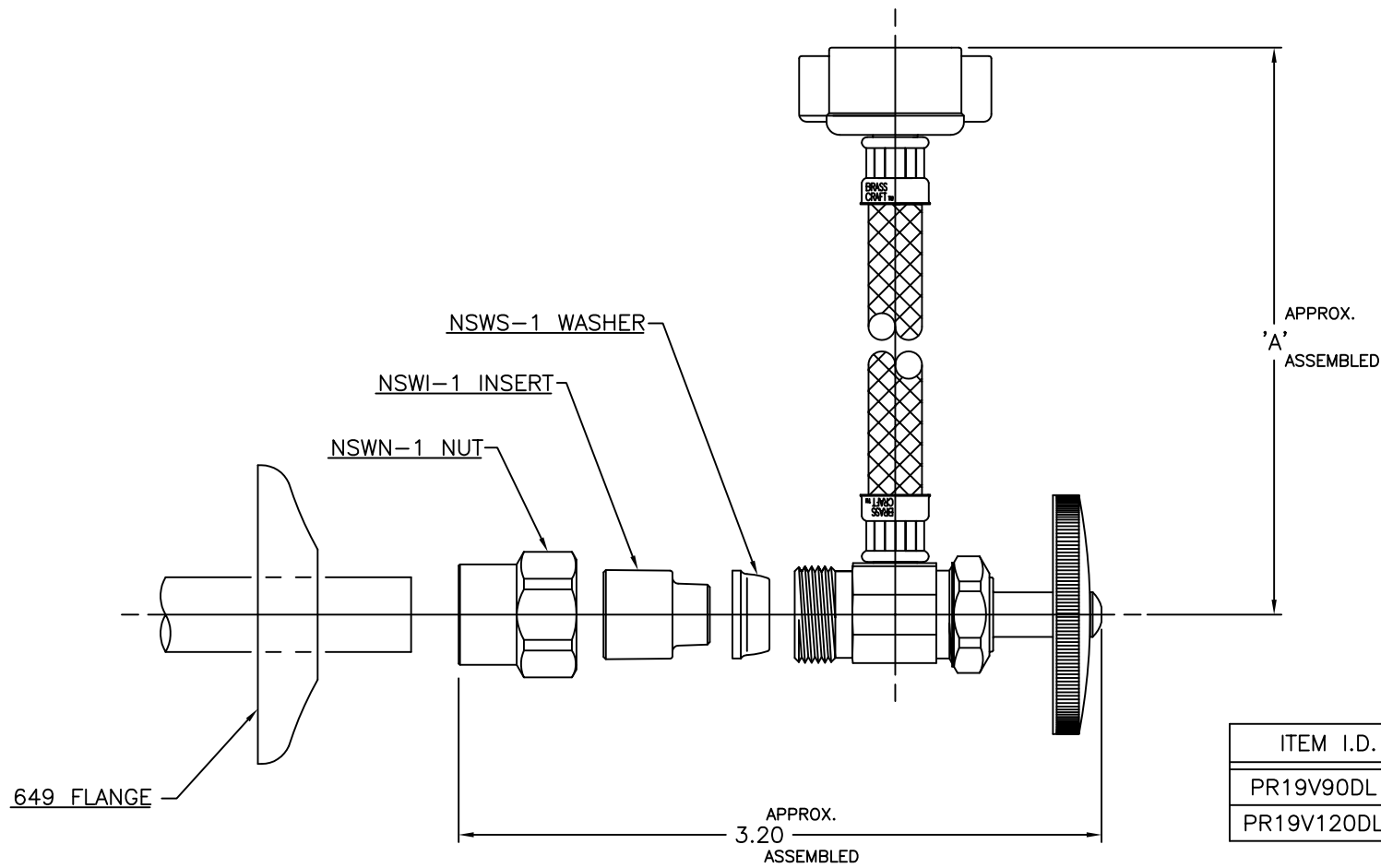


LET.	DATE	PER	BY	CHANGE
A	7/24/03	WFT	MJP	RELEASE



ITEM I.D.	ITEM DESC.	LENGTH 'A'
PR19V90DL C	PR19V90DL	9.50/10.50
PR19V120DL C	PR19V120DL	12.50/13.50



NOVI, MICHIGAN

ALL GD&T PER ANSI STD Y14.5M  
CLASSIFICATION OF QUALITY LEVELS

KPC (KEY PRODUCT CHARACTERISTICS)

STPC (STANDARD PRODUCT CHARACTERISTICS)

PRODUCT MARKINGS

DESCRIPTION 1/2 NOM CPVC X 7/8 FIP VINYL BALLCOCK RISER (SUBMITTAL)		DRAWING NO. VPA0931A	
DRAWN PERNAK	DATE: 07/24/2003	MATERIAL	ITEM DESCRIPTION PR19V90DL SEE CHART
CHK'D. Klimkie	DATE: 07/25/2003	VOLUME	ITEM ID PR19V90DL C SEE CHART
APP'D.	DATE:	UNITS INCH	SCALE: (UNLESS NOTED) FULL
NOTE: UNLESS OTHERWISE SPECIFIED TWO PLACE DECIMALS THREE PLACE DECIMALS ANGULARITY		SIZE B	REV. A

This drawing and all data contained herein is the confidential and exclusive property of BrassCraft Manufacturing, and shall not be disclosed to others without the written consent of BrassCraft. This drawing must be returned to BrassCraft if requested.