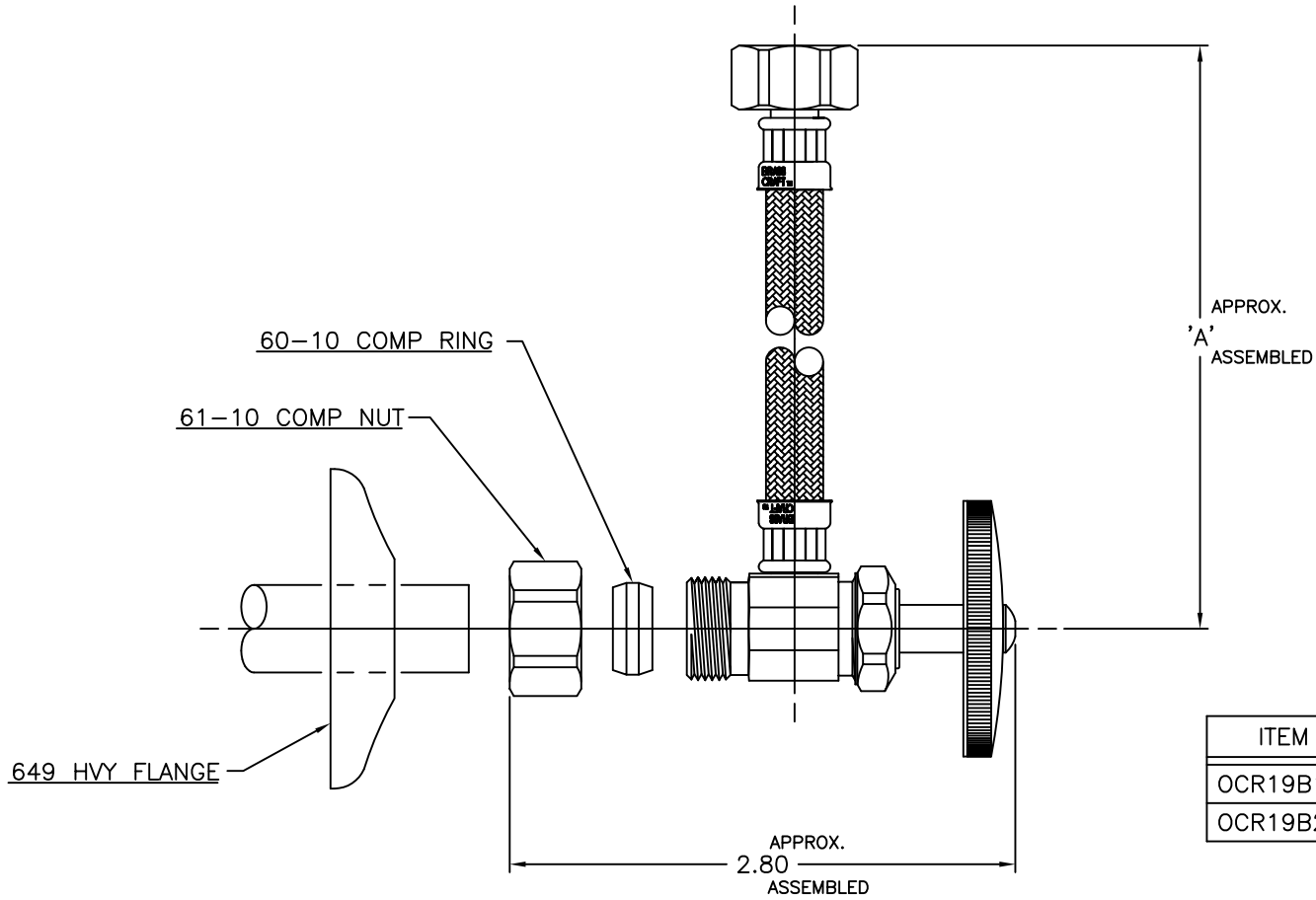




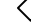
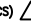
LET.	DATE	PER	BY	CHANGE
C	5/23/03	WFT	MJP	REVISED & UPDATED



ITEM I.D.	ITEM DESC.	DIM 'A'
OCR19B160A C	OCR19B160A	16.50/17.50
OCR19B200A C	OCR19B200A	20.50/21.50

 <b>BrassCraft</b> A Masco Company NOVI, MICHIGAN	DESCRIPTION 1/2 NOM COMP X 1/2 FIP POLYMER FAUCET RISER (SUBMITTAL)		DRAWING NO. VPA0814C		
	DRAWN DATE: SCHUTTE 08/20/2001	MATERIAL	ITEM DESCRIPTION OCR19B160A SEE CHART		
	CHK'D. DATE: Klimkie 05/23/2003	VOLUME	ITEM ID OCR19B160A C SEE CHART		
	APP'D. DATE:	NOTE: UNLESS OTHERWISE SPECIFIED TWO PLACE DECIMALS +/- .010 THREE PLACE DECIMALS +/- .005 ANGULARITY +/- 1°	 SIZE	UNITS INCH	SCALE: (UNLESS NOTED) 2:1

This drawing and all data contained herein is the confidential and exclusive property of BrassCraft Manufacturing, and shall not be disclosed to others without the written consent of BrassCraft. This drawing must be returned to BrassCraft if requested.

ALL GDT PER ANSI STD Y14.5M CLASSIFICATION OF QUALITY LEVELS	CLASS SYMBOL
KPC (KEY PRODUCT CHARACTERISTICS) 	
STPC (STANDARD PRODUCT CHARACTERISTICS) 	
PRODUCT MARKINGS 