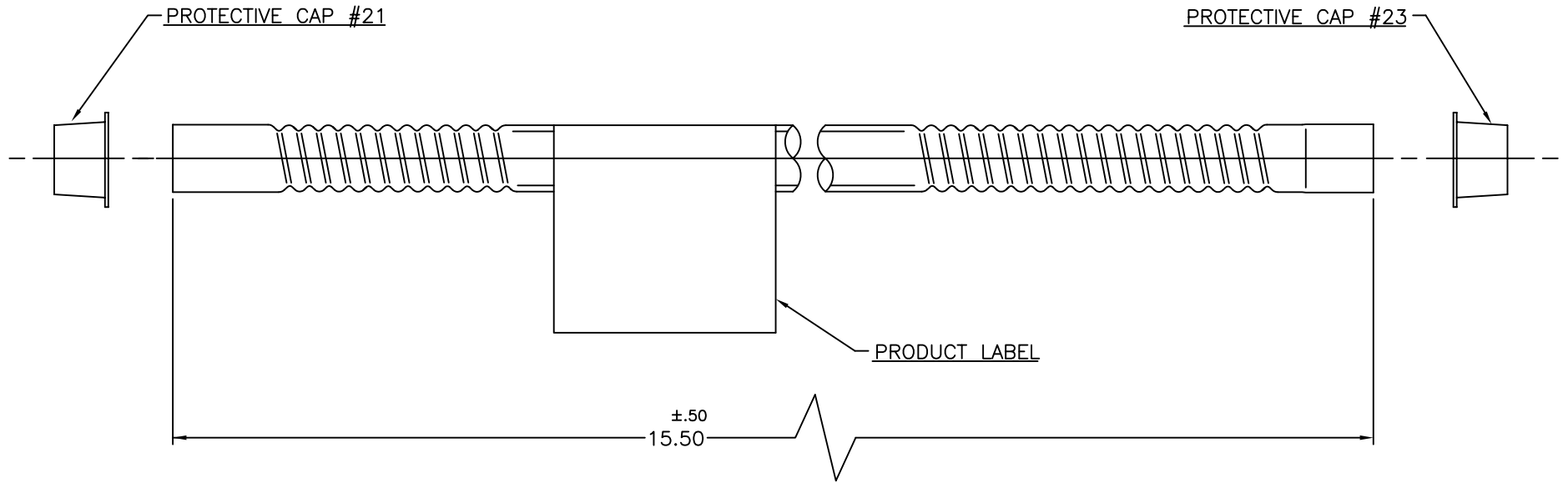







LET.	DATE	PER	BY	CHANGE
A	8/22/05	JPS	MJP	RELEASE



 BrassCraft A Masco Company NOVI, MICHIGAN	DESCRIPTION		DRAWING NO.		
	1/2 NOM MALE SWT X 1/2 NOM FEM SWT KWIK-IN T&S CONN (SUBMITTAL)		WCG0112A		
	DRAWN	DATE:	MATERIAL		
	PERNAK	08/22/2005			
CHK'D.	DATE:	VOLUME	ITEM DESCRIPTION		
Schutte	08/22/2005		WD65-15		
APP'D.	DATE:		ITEM ID		
			WD65-15		
ALL GDT PER ANSI STD Y14.5M CLASSIFICATION OF QUALITY LEVELS CLASS SYMBOL		NOTE: UNLESS OTHERWISE SPECIFIED TWO PLACE DECIMALS +/- .010 THREE PLACE DECIMALS +/- .005 ANGULARITY +/- 1°	UNITS INCH	SCALE: (UNLESS NOTED) FULL	REV. A
KPC (KEY PRODUCT CHARACTERISTICS)  STPC (STANDARD PRODUCT CHARACTERISTICS)  PRODUCT MARKINGS 					

This drawing and all data contained herein is the confidential and exclusive property of BrassCraft Manufacturing, and shall not be disclosed to others without the written consent of BrassCraft. This drawing must be returned to BrassCraft if requested.