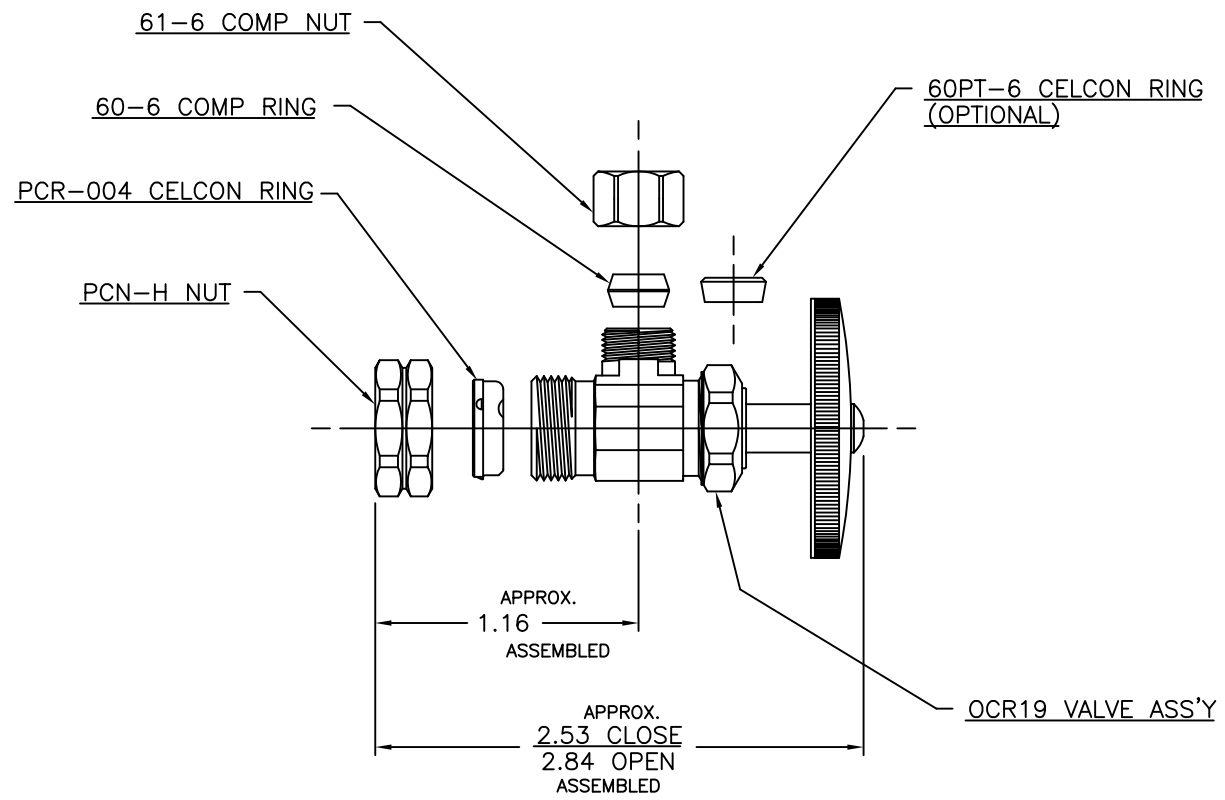



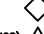
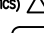


LET.	DATE	PER	BY	CHANGE
D	5/23/03	WFT	MJP	REVISED & UPDATED



ITEM I.D.	
ROUGH	CHROME
OPCVA53 R	OPCVA53 C

NOTE:
DESIGNED AND MANUFACTURED IN
ACCORDANCE WITH ANSI A112.18.1M
AND FERAL SPECIFICATION WWP-541

This drawing and all data contained herein is the confidential and exclusive property of BrassCraft Manufacturing, and shall not be disclosed to others without the written consent of BrassCraft. This drawing must be returned to BrassCraft if requested.

 A Masco Company NOVI, MICHIGAN		DESCRIPTION 1/2 NOM COMP X 3/8 OD COMP VALVE W/PCN-H NUT (SUBMITTAL)		DRAWING NO. VPA0460D		
		DRAWN DATE: PERNAK 11/20/2002 CHK'D DATE: Klimkie 05/23/2003	MATERIAL		ITEM DESCRIPTION OPCVA53	
ALL GDT PER ANSI STD Y14.5M CLASSIFICATION OF QUALITY LEVELS CLASS SYMBOL		APP'D. DATE:		ITEM ID OPCVA53 R SEE CHART		
KPC (KEY PRODUCT CHARACTERISTICS)  STPC (STANDARD PRODUCT CHARACTERISTICS)  PRODUCT MARKINGS 		NOTE: UNLESS OTHERWISE SPECIFIED TWO PLACE DECIMALS +/- .010 THREE PLACE DECIMALS +/- .005 ANGULARITY +/- 1°		 UNITS INCH	SCALE: (UNLESS NOTED) FULL	REV. D