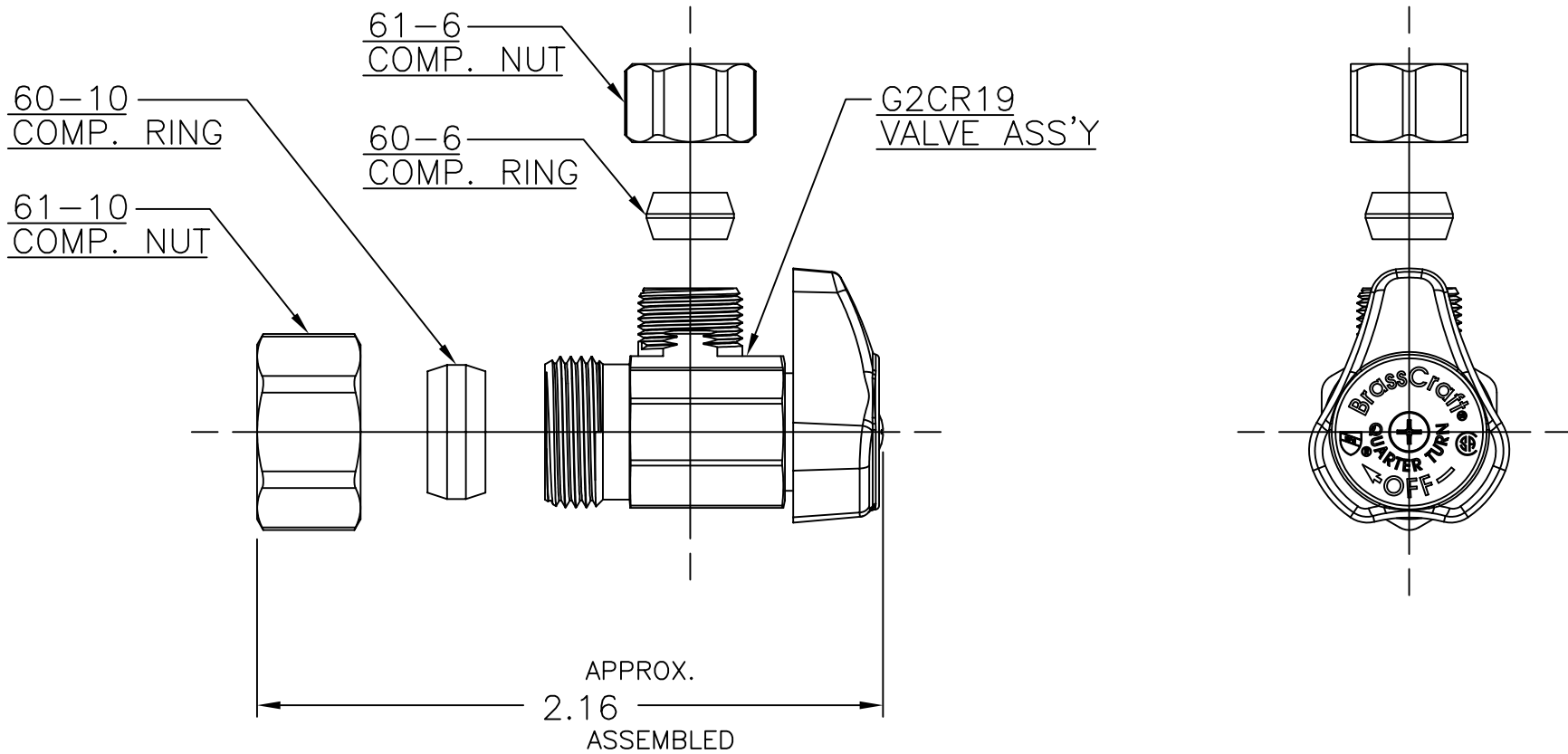


LET.	DATE	PER	BY	CHANGE
B	03/01/07	JPS	KAK	REVISED & UPDATED



ITEM I.D.	
ROUGH	CHROME
G2CR19 R	G2CR19 C



ALL GDT PER ANSI STD Y14.5M CLASSIFICATION OF QUALITY LEVELS	
CLASS	SYMBOL
KPC (KEY PRODUCT CHARACTERISTICS)	◇
STPC (STANDARD PRODUCT CHARACTERISTICS)	△
PRODUCT MARKINGS	○

DESCRIPTION 1/2 NOM COMP X 3/8 OD COMP QUARTER TURN ANGLE STOP (SUBMITTAL)	
DRAWN KLIMKIE	DATE: 08/25/2004
CHK'D. Schutte	DATE: 03/02/2007
APP'D.	DATE:
NOTE: UNLESS OTHERWISE SPECIFIED TWO PLACE DECIMALS +/-.010 THREE PLACE DECIMALS +/-.005 ANGULARITY +/-.1°	

DRAWING NO. VPA0988B	
ITEM DESCRIPTION G2CR19	
ITEM ID G2CR19 C SEE CHART	
UNITS INCH	SCALE: (UNLESS NOTED) FULL
REV. B	

This drawing and all data contained herein is the confidential and exclusive property of BrassCraft Manufacturing, and shall not be disclosed to others without the written consent of BrassCraft. This drawing must be returned to BrassCraft if requested.

