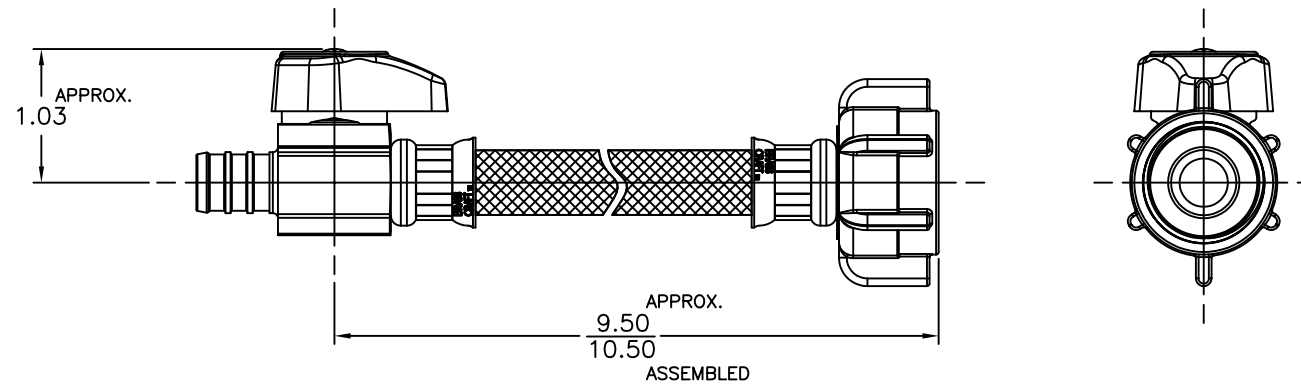


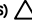



LET.	DATE	PER	BY	CHANGE
A	10/12/07	JPS	KAK	RELEASE



 BrassCraft A Masco Company NOVI, MICHIGAN ALL GDT PER ANSI STD Y14.5M CLASSIFICATION OF QUALITY LEVELS	DESCRIPTION		DRAWING NO.		
	1/2 NOM PEX X 7/8 FIP BALLCOCK ONE-PIECE RISER (SUBMITTAL)		VPA1102A		
	DRAWN	DATE:	MATERIAL	ITEM DESCRIPTION	
	KLIMKIE	10/12/2007		G2BRPX14B90DLF	
CHK'D.	DATE:	VOLUME	ITEM ID		
Schutte	10/15/2007		G2BRPX14B90DLF CB		
APP'D.	DATE:				
KPC (KEY PRODUCT CHARACTERISTICS)  STPC (STANDARD PRODUCT CHARACTERISTICS)  PRODUCT MARKINGS 		NOTE: UNLESS OTHERWISE SPECIFIED TWO PLACE DECIMALS +/- .010 THREE PLACE DECIMALS +/- .005 ANGULARITY +/- 1°	UNITS INCH	SCALE: (UNLESS NOTED) FULL	REV. A

This drawing and all data contained herein is the confidential and exclusive property of BrassCraft Manufacturing, and shall not be disclosed to others without the written consent of BrassCraft. This drawing must be returned to BrassCraft if requested.