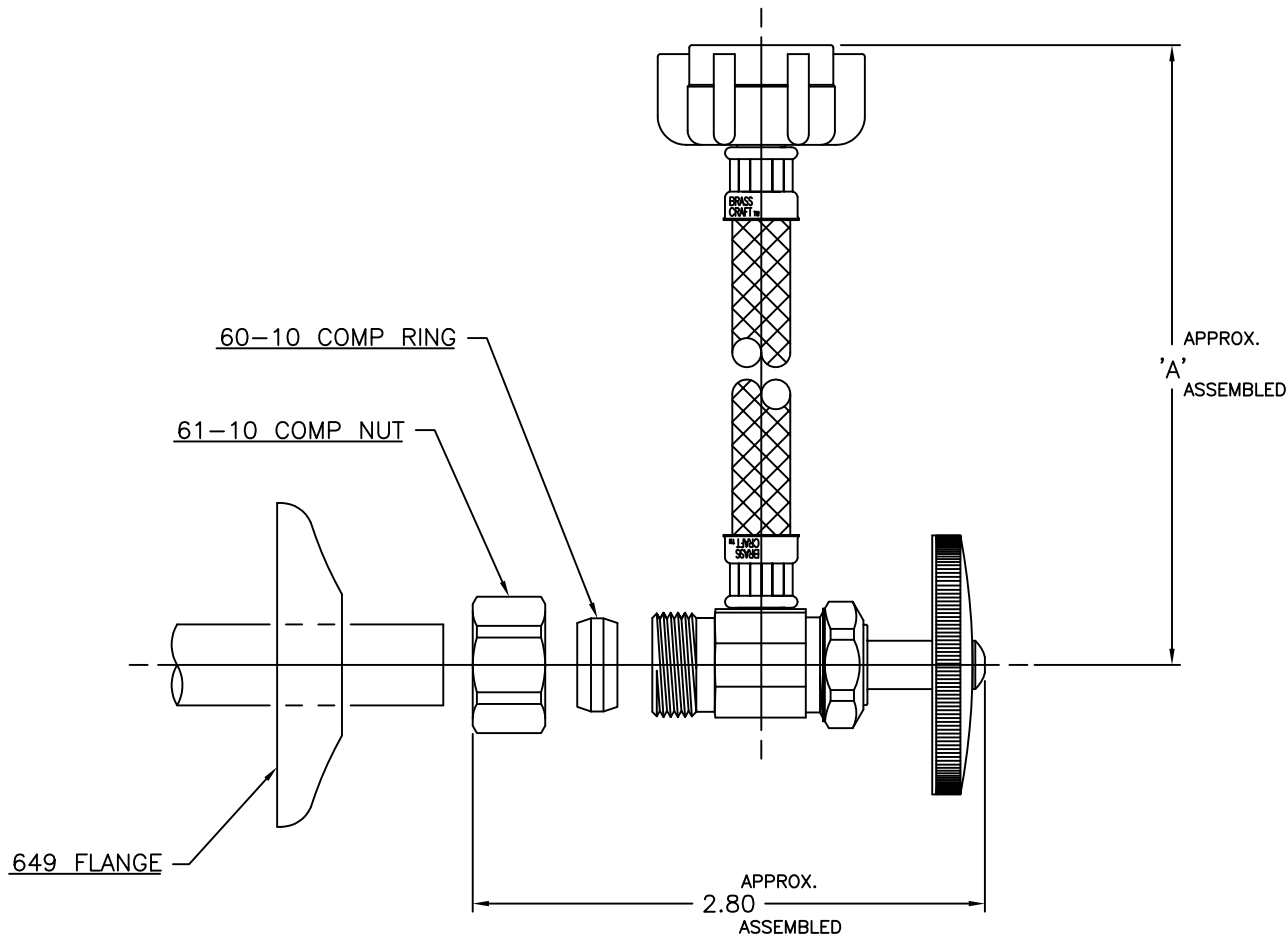


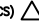



LET.	DATE	PER	BY	CHANGE
D	1/3/06	JPS	KAK	REVISED & UPDATED



ITEM I.D.	ITEM DESC.	LENGTH 'A'
OCR19V90DL C	OCR19V90DL	9.50/10.50
OCR19V120DL C	OCR19V120DL	12.50/13.50

 <b>BrassCraft</b> A Masco Company NOVI, MICHIGAN	DESCRIPTION 1/2 NOM COMP X 7/8 FIP VINYL BALLCOCK RISER (SUBMITTAL)		DRAWING NO. VPA0891D		
	DRAWN PERNAK 08/29/2002	MATERIAL	ITEM DESCRIPTION OCR19V90DL SEE CHART		
	CHK'D. Schutte 01/03/2006	VOLUME	ITEM ID OCR19V90DL C SEE CHART		
	ALL GDT PER ANSI STD Y14.5M CLASSIFICATION OF QUALITY LEVELS CLASS SYMBOL	APP'D. DATE:	NOTE: UNLESS OTHERWISE SPECIFIED TWO PLACE DECIMALS +/- .010 THREE PLACE DECIMALS +/- .005 ANGULARITY +/- 1°	UNITS INCH	SCALE: (UNLESS NOTED) FULL
KPC (KEY PRODUCT CHARACTERISTICS)  STPC (STANDARD PRODUCT CHARACTERISTICS)  PRODUCT MARKINGS 					

This drawing and all data contained herein is the confidential and exclusive property of BrassCraft Manufacturing, and shall not be disclosed to others without the written consent of BrassCraft. This drawing must be returned to BrassCraft if requested.