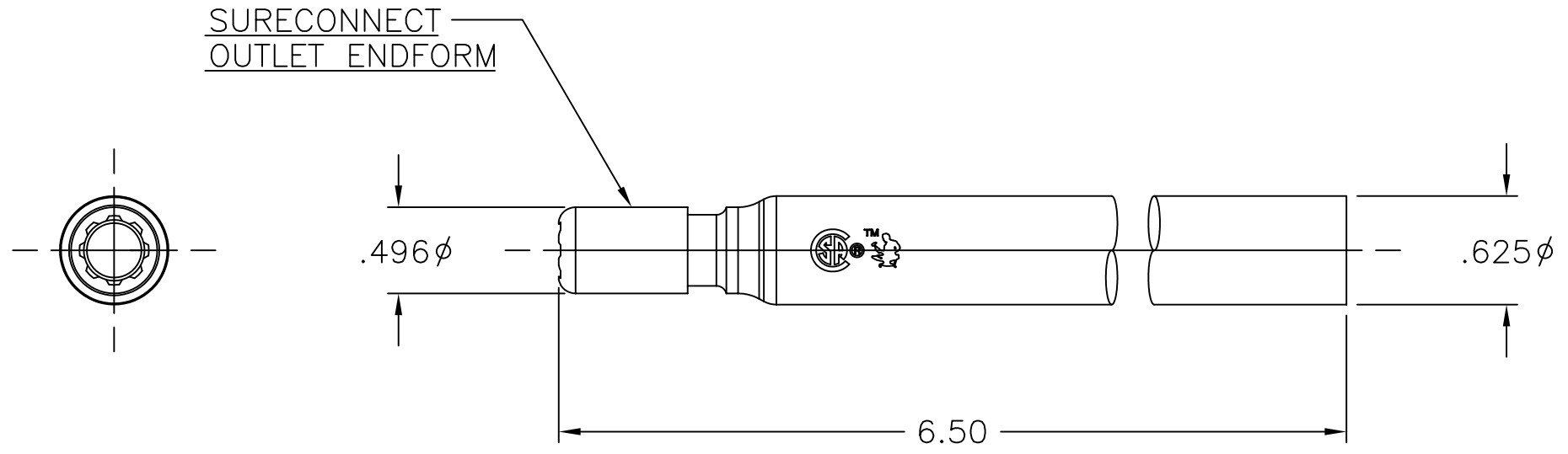



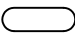


LET.	DATE	PER	BY	CHANGE
A				05/09/07 ROL KAK RELEASE



 <b>BrassCraft</b> <sup>®</sup> A Masco Company NOVI, MICHIGAN ALL GDT PER ANSI STD Y14.5M CLASSIFICATION OF QUALITY LEVELS	DESCRIPTION		DRAWING NO.	
	SURECONNECT X 1/2 NOM CPVC STRAIGHT STUB-OUT (SUBMITTAL)		VPG0787A	
	DRAWN: KLIMKIE DATE: 05/09/2007 CHK'D: Green DATE: 05/09/2007	MATERIAL	ITEM DESCRIPTION	
	APP'D.	DATE:	VOLUME	8513
CLASS: KPC (KEY PRODUCT CHARACTERISTICS) SYMBOL:  STPC (STANDARD PRODUCT CHARACTERISTICS) SYMBOL:  PRODUCT MARKINGS SYMBOL: 	NOTE: UNLESS OTHERWISE SPECIFIED TWO PLACE DECIMALS +/- .010 THREE PLACE DECIMALS +/- .005 ANGULARITY +/- 1°	UNITS: INCH SCALE: FULL REV: A	ITEM ID: 8513	

This drawing and all data contained herein is the confidential and exclusive property of BrassCraft Manufacturing, and shall not be disclosed to others without the written consent of BrassCraft. This drawing must be returned to BrassCraft if requested.