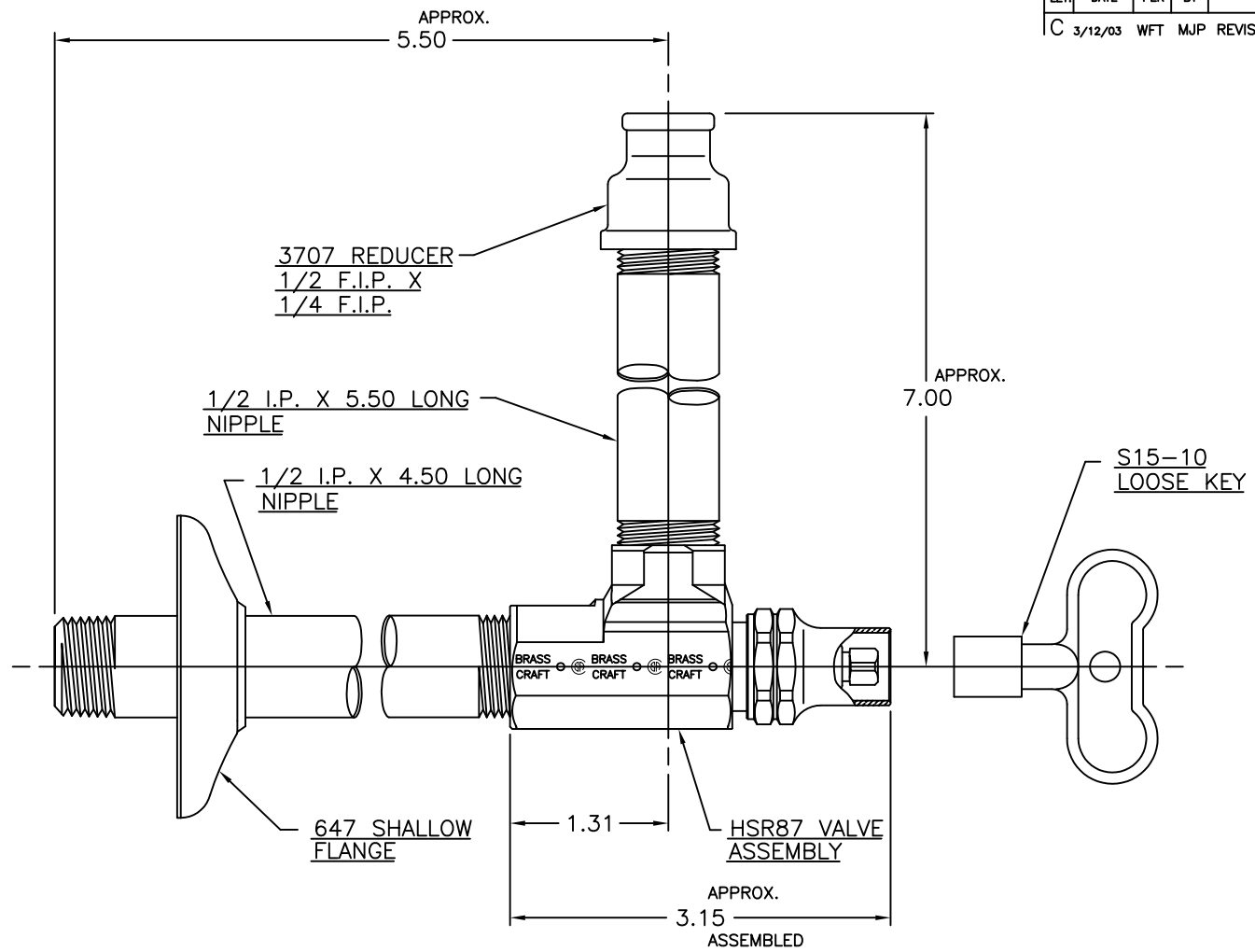

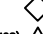
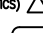



LET.	DATE	PER	BY	CHANGE
C	3/12/03	WFT	MJP	REVISED & UPDATED



 <b>BrassCraft</b> A Masco Company NOVI, MICHIGAN	DESCRIPTION		DRAWING NO.
	1/2 FIP X 1/2 FIP HVY PTRN VALVE W/ NIPPLES, REDUCER & LOOSE KEY (SUBMITTAL)		VPA0677C
	DRAWN DATE:	MATERIAL	ITEM DESCRIPTION
	PERNAK 11/18/2002		HS3602
CHK'D DATE:	VOLUME	ITEM ID	
Klimkie 04/29/2003		HS3602 C	
APP'D DATE:	NOTE: UNLESS OTHERWISE SPECIFIED		
	TWO PLACE DECIMALS +/- .010		
	THREE PLACE DECIMALS +/- .005		
	ANGULARITY +/- 1°		
ALL GDT PER ANSI STD Y14.5M CLASSIFICATION OF QUALITY LEVELS CLASS SYMBOL KPC (KEY PRODUCT CHARACTERISTICS)  STPC (STANDARD PRODUCT CHARACTERISTICS)  PRODUCT MARKINGS 	UNITS INCH	SCALE: (UNLESS NOTED) FULL	REV. C

This drawing and all data contained herein is the confidential and exclusive property of BrassCraft Manufacturing, and shall not be disclosed to others without the written consent of BrassCraft. This drawing must be returned to BrassCraft if requested.