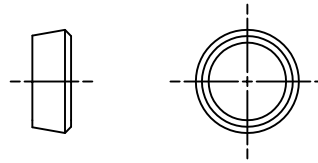
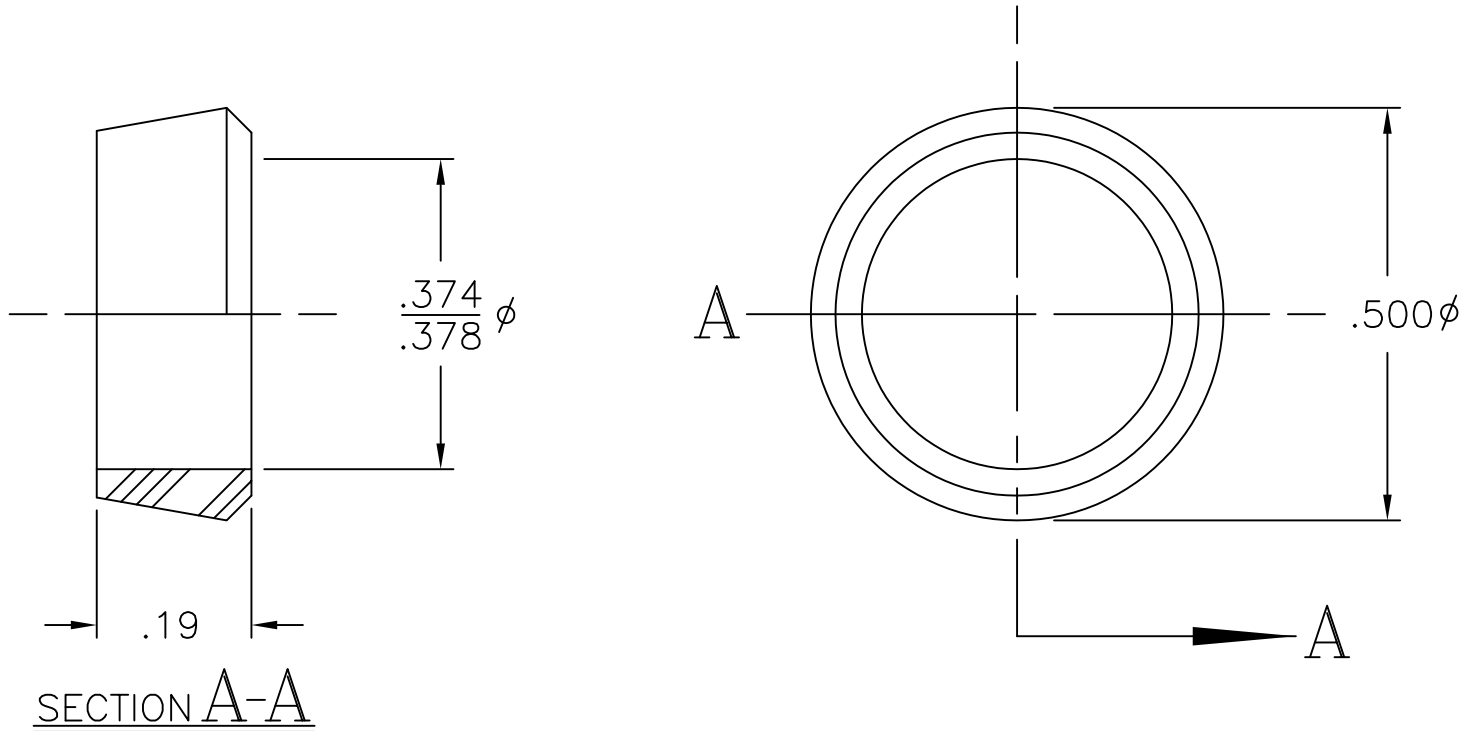


LET.	DATE	PER	BY	CHANGE
A	02/20/07	JPS	KAK	RELEASE



FULL SIZE



NOVI, MICHIGAN	
ALL GDT PER ANSI STD Y14.5M CLASSIFICATION OF QUALITY LEVELS	
CLASS	SYMBOL
KPC (KEY PRODUCT CHARACTERISTICS)	◇
STPC (STANDARD PRODUCT CHARACTERISTICS)	△
PRODUCT MARKINGS	○

DESCRIPTION 3/8 PLASTIC COMPRESSION RING (SUBMITTAL)			DRAWING NO. CFR0229A	
DRAWN KLIMKIE	DATE: 02/20/2007	MATERIAL	ITEM DESCRIPTION 60PT-6	
CHK'D. Schutte	DATE: 02/21/2007		ITEM ID 60PT-6 BT	
APP'D.	DATE:	VOLUME		
NOTE: UNLESS OTHERWISE SPECIFIED TWO PLACE DECIMALS +/- .010 THREE PLACE DECIMALS +/- .005 ANGULARITY +/- 1°			UNITS INCH	SCALE: (UNLESS NOTED) 4:1
			SIZE A	REV. A

This drawing and all data contained herein is the confidential and exclusive property of BrassCraft Manufacturing, and shall not be disclosed to others without the written consent of BrassCraft. This drawing must be returned to BrassCraft if requested.