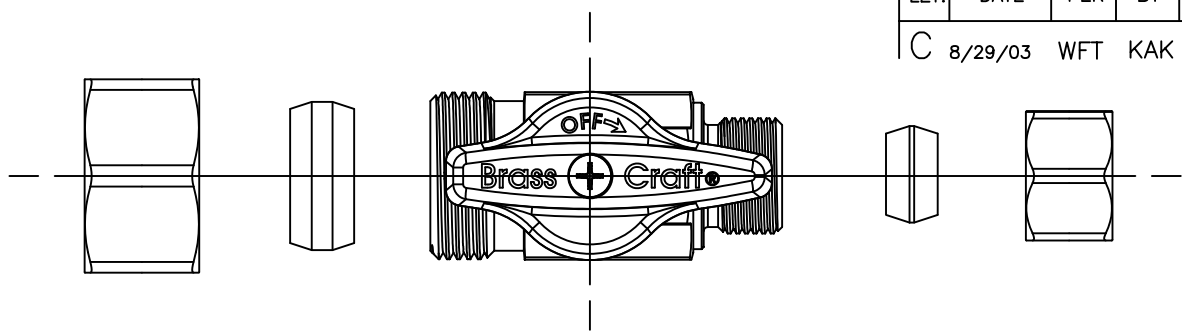
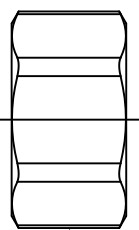


LET.	DATE	PER	BY	CHANGE
C	8/29/03	WFT	KAK	REVISED & UPDATED

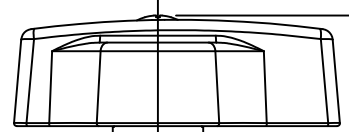


KTCR14 VALVE ASSY

60-10 B
COMP. RING



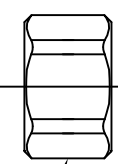
61-10 B
COMP. NUT



60-6 B
COMP. RING



61-6 B
COMP. NUT



APPROX.
1.14

APPROX.
2.32
ASSEMBLED



NOVI, MICHIGAN

ALL GDT PER ANSI STD Y14.5M
CLASSIFICATION OF QUALITY LEVELS

CLASS	SYMBOL
KPC (KEY PRODUCT CHARACTERISTICS)	◇
STPC (STANDARD PRODUCT CHARACTERISTICS)	△
PRODUCT MARKINGS	○

DESCRIPTION
1/2 NOM COMP X 3/8 OD COMP
1/4 TURN STRT BALL VALVE (SUBMITTAL)

DRAWN DATE:
SCHUTTE 08/16/2001

CHK'D. DATE:
Green 09/11/2003

APP'D. DATE:

MATERIAL	
VOLUME	

NOTE: UNLESS OTHERWISE SPECIFIED
TWO PLACE DECIMALS +/- .010
THREE PLACE DECIMALS +/- .005
ANGULARITY +/- 1°



UNITS
INCH

SCALE:
(UNLESS NOTED)
FULL

REV.
C

DRAWING NO.
VPA0813C

ITEM DESCRIPTION
KTCR14

ITEM ID
KTCR14 C

This drawing and all data contained herein is the confidential and exclusive property of BrassCraft Manufacturing, and shall not be disclosed to others without the written consent of BrassCraft. This drawing must be returned to BrassCraft if requested.