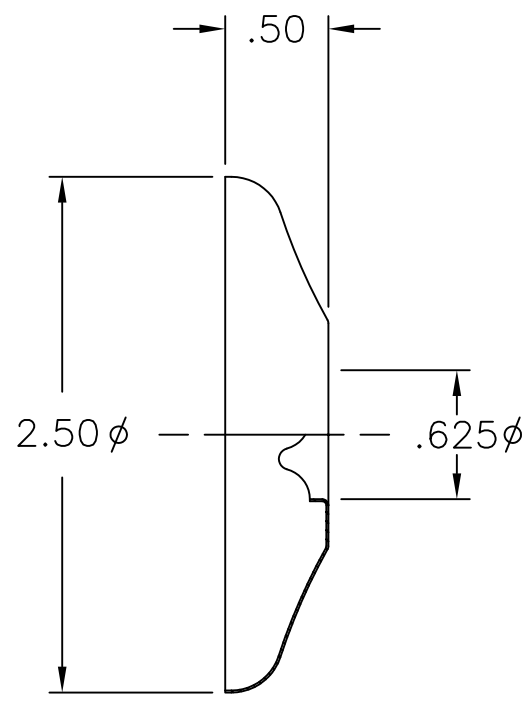
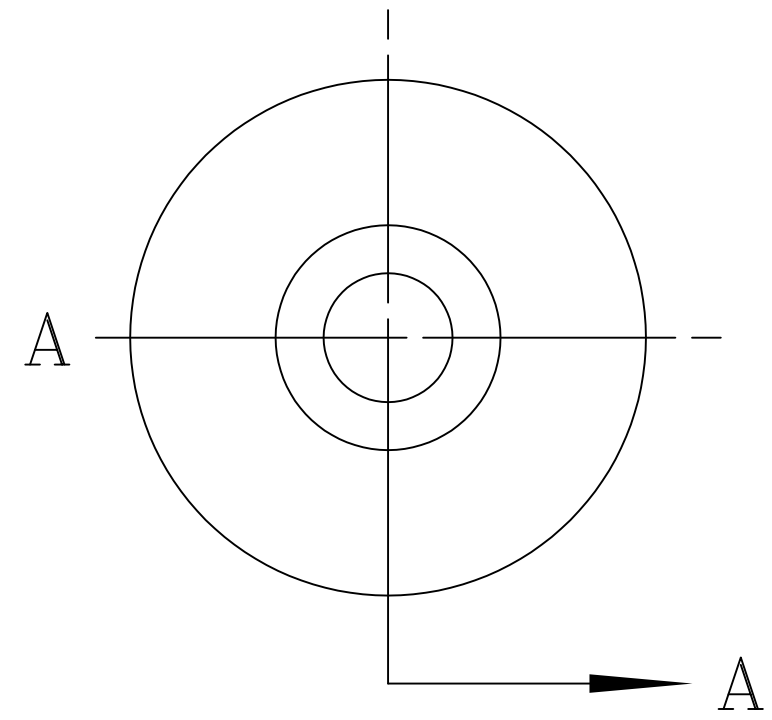


LET.	DATE	PER	BY	CHANGE
B	6/22/07	ROL	KAK	REVISED & UPDATED



SECTION A-A

ITEM ID	FINISH
649	STAINLESS STEEL
649 A	ANTIQUE BRASS
649 BS	BISCUIT
649 BZ	OIL RUBBED BRONZE
649 NS	SATIN NICKEL
649 P	POLISHED BRASS
649 W	WHITE



This drawing and all data contained herein is the confidential and exclusive property of BrassCraft Manufacturing, and shall not be disclosed to others without the written consent of BrassCraft. This drawing must be returned to BrassCraft if requested.



CLASS	SYMBOL
KPC (KEY PRODUCT CHARACTERISTICS)	◇
STPC (STANDARD PRODUCT CHARACTERISTICS)	△
PRODUCT MARKINGS	○

DESCRIPTION 1/2 NOM (5/8 OD) SHALLOW FLANGE (SUBMITTAL)		DRAWING NO. MPG0139B	
DRAWN PERNAK	DATE: 08/29/2003	MATERIAL	ITEM DESCRIPTION 649
CHK'D. Learmont	DATE: 06/22/2007	VOLUME	ITEM ID 649 SEE CHART
APP'D.	DATE:	NOTE: UNLESS OTHERWISE SPECIFIED TWO PLACE DECIMALS +/- .010 THREE PLACE DECIMALS +/- .005 ANGULARITY +/- 1°	UNITS INCH
		SCALE: (UNLESS NOTED) FULL	REV. B