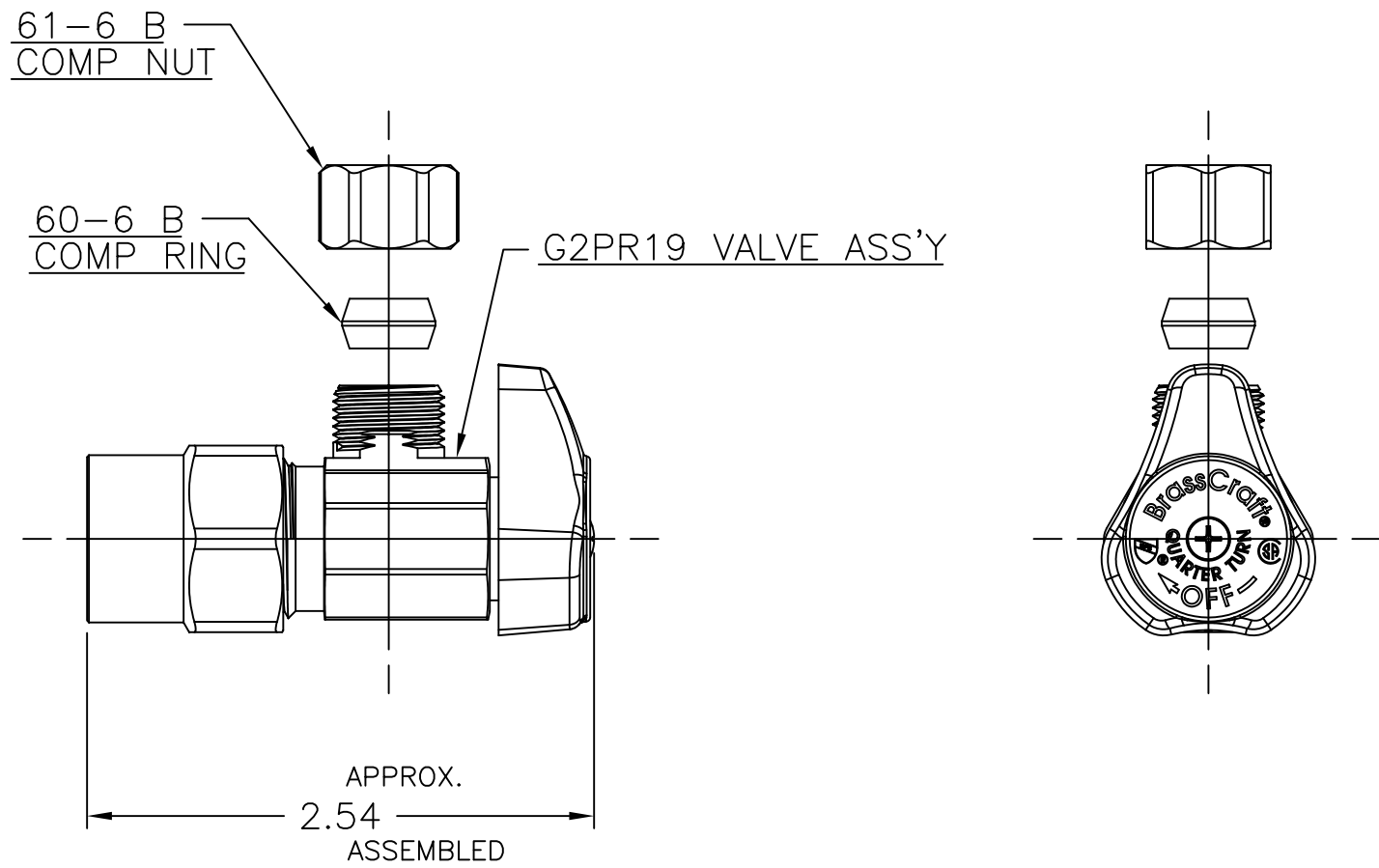


LET.	DATE	PER	BY	CHANGE
B	12/14/07	JPS	KAK	RELEASE



ITEM I.D.	
ROUGH	CHROME
G2PR19 R	G2PR19 C

BrassCraft[®]
A Masco Company
NOVI, MICHIGAN

DESCRIPTION
1/2 NOM CPVC X 3/8 OD COMP
QUARTER TURN ANGLE STOP (SUBMITTAL)

DRAWING NO.
VPA1083B

DRAWN DATE:
KLIMKIE 12/6/06

MATERIAL

ITEM DESCRIPTION
G2PR19

CHK'D. DATE:
Schutte 12/14/2007

VOLUME

ITEM ID
VPA1083B
SEE CHART

APP'D. DATE:

NOTE: UNLESS OTHERWISE SPECIFIED
TWO PLACE DECIMALS +/- .010
THREE PLACE DECIMALS +/- .005
ANGULARITY +/- 1°

A
SIZE

UNITS
INCH

SCALE:
(UNLESS NOTED)
FULL

REV.
B

This drawing and all data contained herein is the confidential and exclusive property of BrassCraft Manufacturing, and shall not be disclosed to others without the written consent of BrassCraft. This drawing must be returned to BrassCraft if requested.

CLASS	SYMBOL
KPC (KEY PRODUCT CHARACTERISTICS)	◇
STPC (STANDARD PRODUCT CHARACTERISTICS)	△
PRODUCT MARKINGS	○