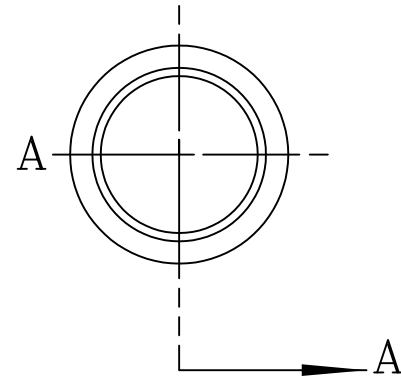
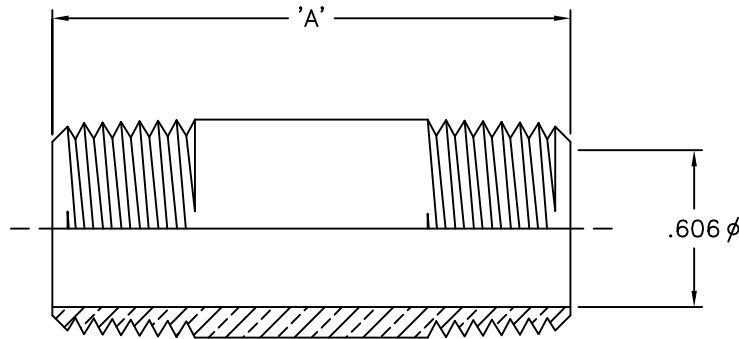



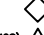
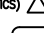
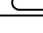
LET.	DATE	PER	BY	CHANGE
A	12/16/04	KAK	MJP	RELEASE



SECTION A-A

ITEM ID		ITEM DESC.	LENGTH 'A'
CHROME	ROUGH		
113-08-1.5 C	113-08-1.5 R	113-08-1.5	1.5"
113-08-2 C	113-08-2 R	113-08-2	2.0"
113-08-2.5 C	113-08-2.5 R	113-08-2.5	2.5"
113-08-3 C	113-08-3 R	113-08-3	3.0"
113-08-3.5 C	113-08-3.5 R	113-08-3.5	3.5"
113-08-4 C	113-08-4 R	113-08-4	4.0"
113-08-4.5 C	113-08-4.5 R	113-08-4.5	4.5"
113-08-5 C	113-08-5 R	113-08-5	5.0"
113-08-5.5 C	113-08-5.5 R	113-08-5.5	5.5"
113-08-6 C	113-08-6 R	113-08-6	6.0"

This drawing and all data contained herein is the confidential and exclusive property of BrassCraft Manufacturing, and shall not be disclosed to others without the written consent of BrassCraft. This drawing must be returned to BrassCraft if requested.

 A Masco Company NOVI, MICHIGAN		DESCRIPTION		DRAWING NO.		
		1/2 MIP PIPE NIPPLE (SUBMITTAL)		PFC0331A		
DRAWN	DATE:	MATERIAL	ITEM DESCRIPTION			
PERNAK	12/16/2004		113-08-1.5			
CHK'D.	DATE:	VOLUME	SEE CHART			
Klimkie	12/16/2004		113-08-1.5 C			
APP'D.	DATE:		SEE CHART			
ALL GDT PER ANSI STD Y14.5M CLASSIFICATION OF QUALITY LEVELS		NOTE: UNLESS OTHERWISE SPECIFIED TWO PLACE DECIMALS +/- .010 THREE PLACE DECIMALS +/- .005 ANGULARITY +/- 1°		UNITS INCH	SCALE: (UNLESS NOTED) 2:1	REV. A
KPC (KEY PRODUCT CHARACTERISTICS) 		STPC (STANDARD PRODUCT CHARACTERISTICS) 		PRODUCT MARKINGS 		SIZE B