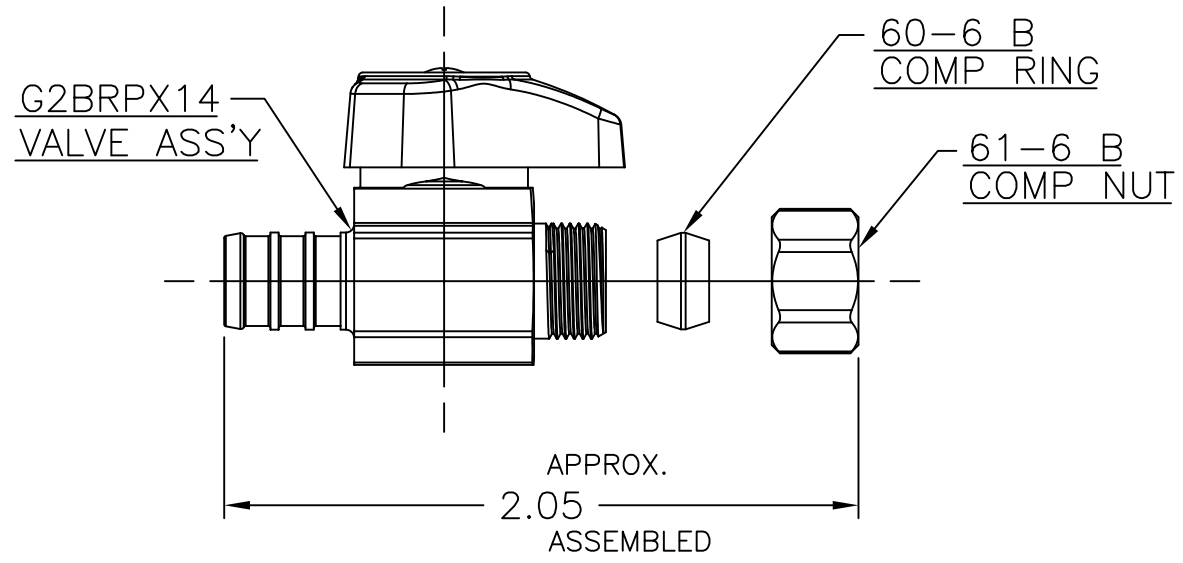
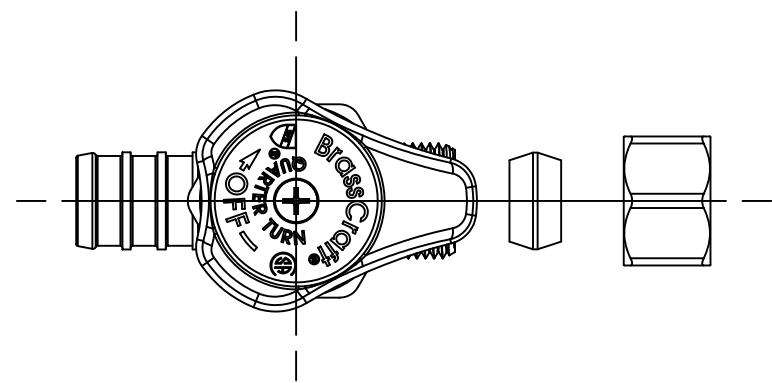



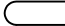



LET.	DATE	PER	BY	CHANGE
A	02/02/05	KAK	JPS	RELEASE

ITEM I.D.	
CHROME	ROUGH
G2BRPX14 C	G2BRPX14 R



 BrassCraft [®] A Masco Company NOVI, MICHIGAN ALL GDT PER ANSI STD Y14.5M CLASSIFICATION OF QUALITY LEVELS	DESCRIPTION		DRAWING NO.	
	1/2 NOM PEX X 3/8 OD COMP QUARTER TURN STRAIGHT STOP (SUBMITTAL)		VPA0999A	
	DRAWN DATE: SCHUTTE 02/02/2005 CHK'D. DATE: Klimkie 02/03/2005 APP'D. DATE:	MATERIAL	ITEM DESCRIPTION	
			G2BRPX14	
CLASS SYMBOL KPC (KEY PRODUCT CHARACTERISTICS)  STPC (STANDARD PRODUCT CHARACTERISTICS)  PRODUCT MARKINGS 	VOLUME NOTE: UNLESS OTHERWISE SPECIFIED TWO PLACE DECIMALS +/- .010 THREE PLACE DECIMALS +/- .005 ANGULARITY +/- 1°	ITEM ID G2BRPX14 C SEE CHART	UNITS INCH	SCALE: (UNLESS NOTED) FULL
	 SIZE	REV. A		

This drawing and all data contained herein is the confidential and exclusive property of BrassCraft Manufacturing, and shall not be disclosed to others without the written consent of BrassCraft. This drawing must be returned to BrassCraft if requested.