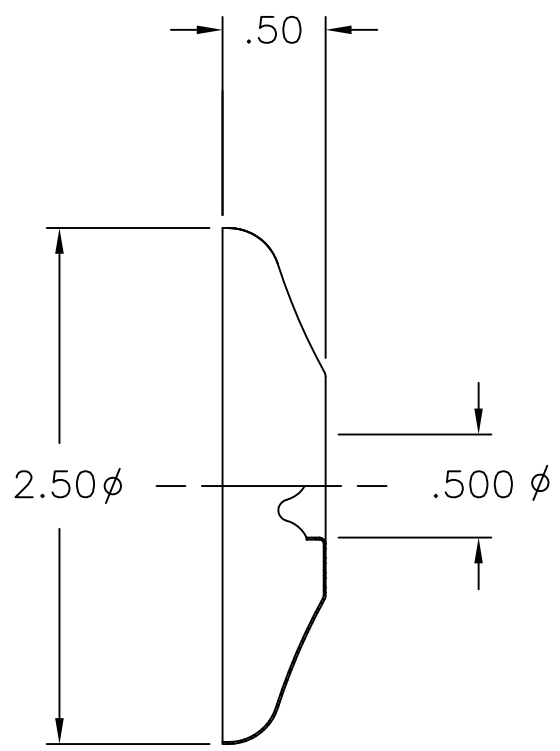
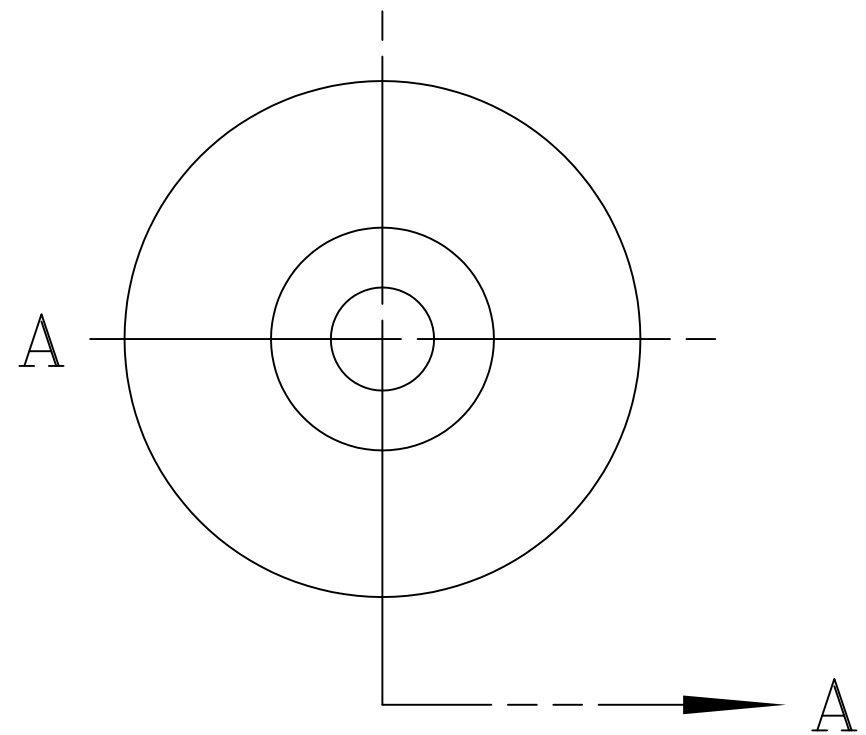


LET.	DATE	PER	BY	CHANGE
A	4/19/04	WFT	MJP	RELEASE



SECTION A-A



NOVI, MICHIGAN

ALL GDT PER ANSI STD Y14.5M  
CLASSIFICATION OF QUALITY LEVELS

CLASS	SYMBOL
KPC (KEY PRODUCT CHARACTERISTICS)	◇
STPC (STANDARD PRODUCT CHARACTERISTICS)	△
PRODUCT MARKINGS	○

DESCRIPTION 3/8 NOM SHALLOW FLANGE (SUBMITTAL)		DRAWING NO. MPG0142A			
DRAWN PERNAK	DATE: 4/19/2004	MATERIAL	ITEM DESCRIPTION 653		
CHK'D. Klimkie	DATE: 04/20/2004		VOLUME	ITEM ID 653 C	
APP'D.	DATE:	NOTE: UNLESS OTHERWISE SPECIFIED TWO PLACE DECIMALS    +/- .010 THREE PLACE DECIMALS    +/- .005 ANGULARITY                    +/- 1°		UNITS INCH	SCALE: (UNLESS NOTED) FULL

This drawing and all data contained herein is the confidential and exclusive property of BrassCraft Manufacturing, and shall not be disclosed to others without the written consent of BrassCraft. This drawing must be returned to BrassCraft if requested.