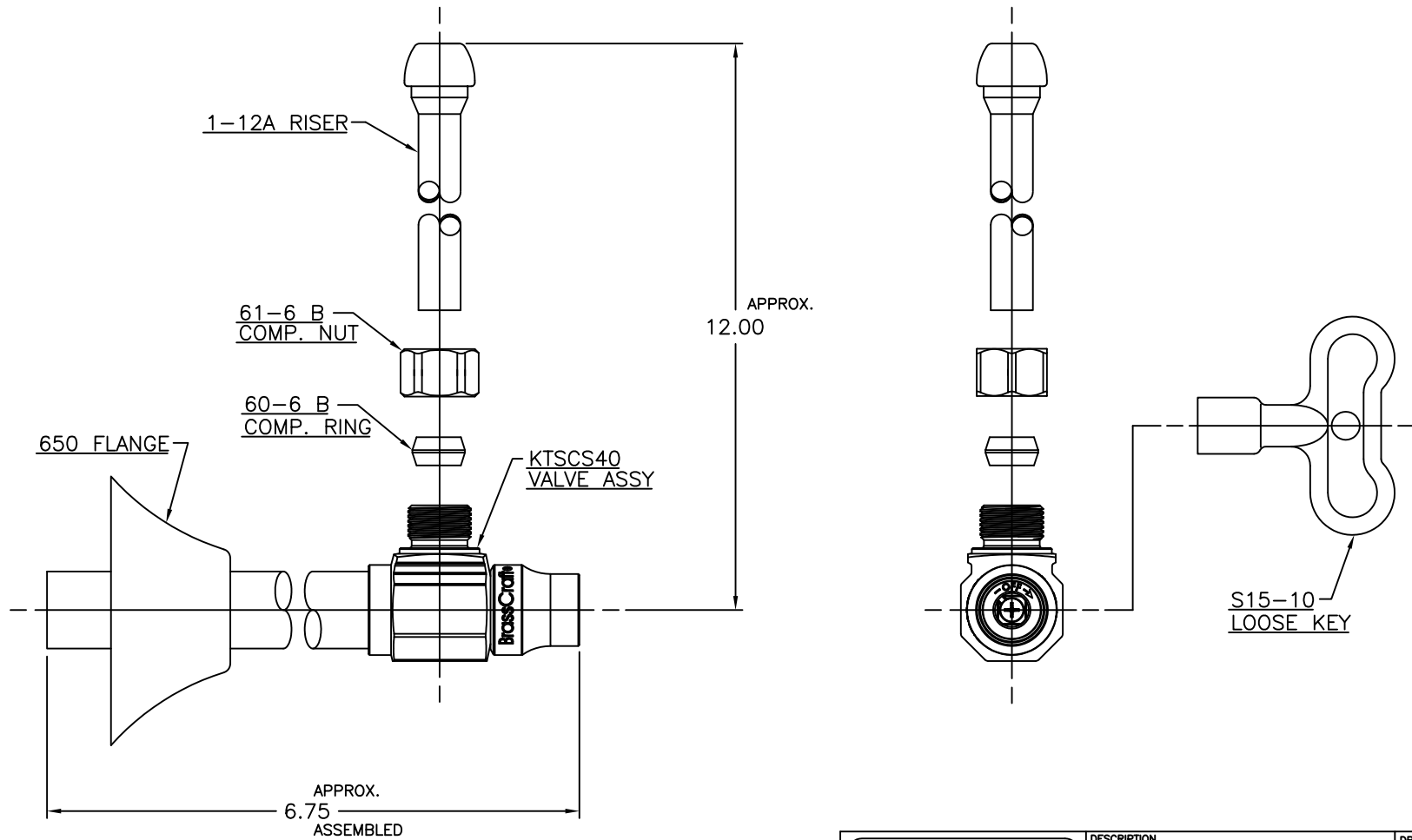

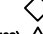
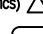




LET.	DATE	PER	BY	CHANGE
A	9/23/04	KAK	MJP	RELEASE



This drawing and all data contained herein is the confidential and exclusive property of BrassCraft Manufacturing, and shall not be disclosed to others without the written consent of BrassCraft. This drawing must be returned to BrassCraft if requested.

 BrassCraft A Masco Company NOVI, MICHIGAN		DESCRIPTION	DRAWING NO.			
		1/2 NOM SWT X 3/8 OD COMP 1/4 TURN BALL VLV W/5" EXT, LOOSE KEY & RISER (SUBMITTAL)	VPA0992A			
CLASS	SYMBOL	DRAWN	DATE:	MATERIAL	ITEM DESCRIPTION	
ALL GDT PER ANSI STD Y14.5M CLASSIFICATION OF QUALITY LEVELS		PERNAK	9/23/04		KTSCS400A	
KPC (KEY PRODUCT CHARACTERISTICS) 		CHK'D.	DATE:	VOLUME	ITEM ID	
STPC (STANDARD PRODUCT CHARACTERISTICS) 		Klimkie	09/23/2004		KTSCS400A C	
PRODUCT MARKINGS 		APP'D.	DATE:			
		NOTE: UNLESS OTHERWISE SPECIFIED		 UNITS INCH	SCALE: (UNLESS NOTED) FULL	REV. A
		TWO PLACE DECIMALS	+/- .010			
		THREE PLACE DECIMALS	+/- .005			
		ANGULARITY	+/- 1°			