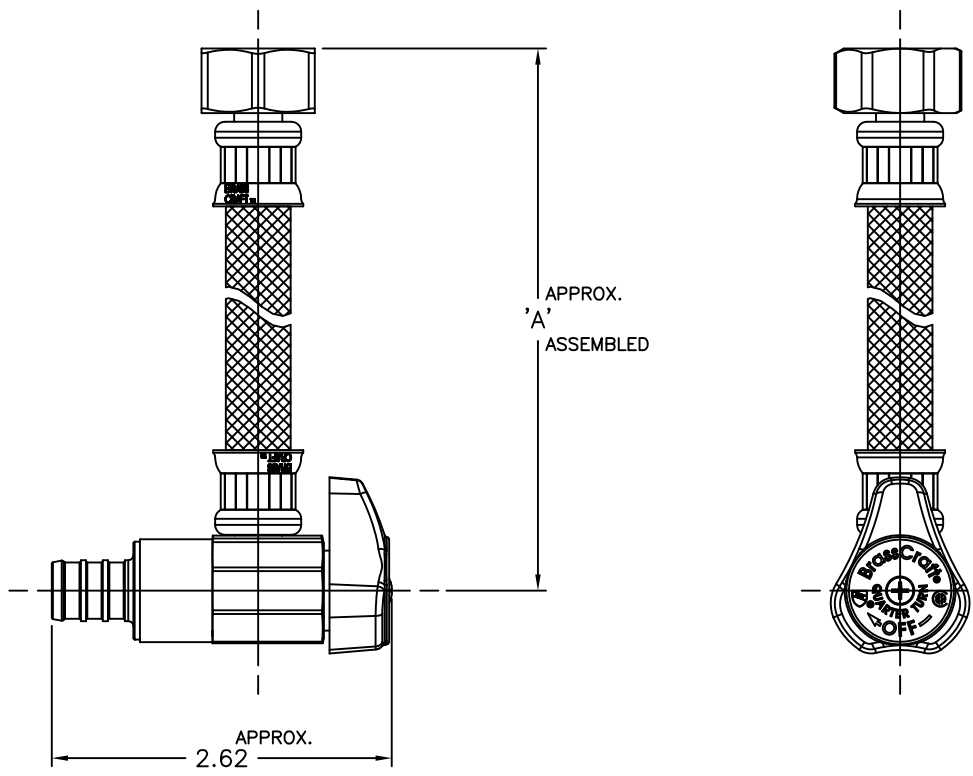



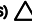



| LET. | DATE | PER | BY | CHANGE |
|------|----------|-----|-----|---------|
| A | 10/10/07 | JPS | KAK | RELEASE |



| ITEM I.D. | ITEM DESCRIPTION | DIM 'A' |
|-------------------|------------------|-------------|
| G2BRPX19B120AF CB | G2BRPX19B120AF | 12.50/13.50 |
| G2BRPX19B200AF CB | G2BRPX19B200AF | 20.50/21.50 |

This drawing and all data contained herein is the confidential and exclusive property of BrassCraft Manufacturing, and shall not be disclosed to others without the written consent of BrassCraft. This drawing must be returned to BrassCraft if requested.

| | | | | | | |
|---------------------------------------------------------------------------------------------------------------------------------------------------------------------------------------------------------------------|---------------------|-----------------------------------------------------------------------------------------------------------------------|---------------------------------------------------------------------------------------|-------------|----------------|------|
|  BrassCraft A Masco Company NOVI, MICHIGAN ALL GD&T PER ANSI STD Y14.5M CLASSIFICATION OF QUALITY LEVELS | | DESCRIPTION | | DRAWING NO. | | |
| | | 1/2 NOM PEX X 1/2 FIP FAUCET ONE-PIECE RISER (SUBMITTAL) | | VPA1099A | | |
| DRAWN KLIMKIE | DATE: 10/10/2007 | MATERIAL | ITEM DESCRIPTION | | | |
| CHK'D. Schutte | DATE: 10/15/2007 | | G2BRPX19B120AF SEE CHART | | | |
| APP'D. | DATE: | VOLUME | ITEM ID | | | |
| | | | G2BRPX19B120AF CB SEE CHART | | | |
| KPC (KEY PRODUCT CHARACTERISTICS)  | | NOTE: UNLESS OTHERWISE SPECIFIED TWO PLACE DECIMALS +/- .010 THREE PLACE DECIMALS +/- .005 ANGULARITY +/- 1° |  | UNITS | SCALE: | REV. |
| STPC (STANDARD PRODUCT CHARACTERISTICS)  | | | | INCH | (UNLESS NOTED) | A |
| PRODUCT MARKINGS  | | | | SIZE | FULL | |