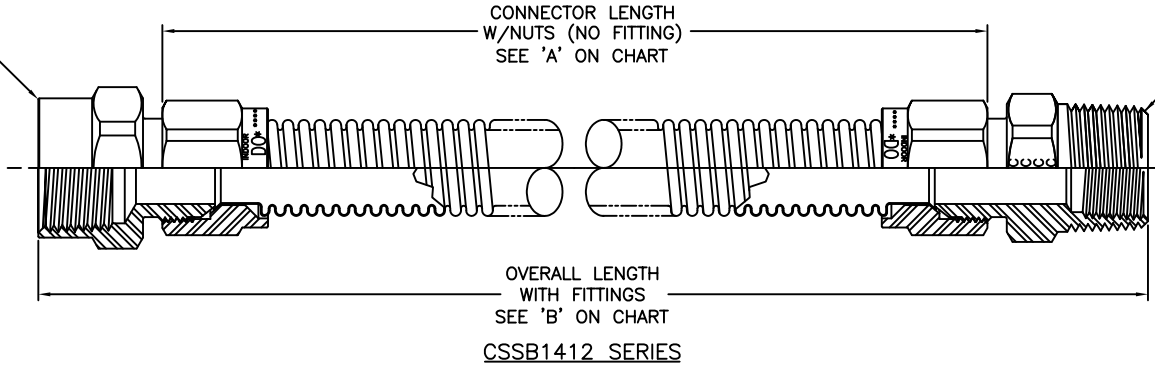
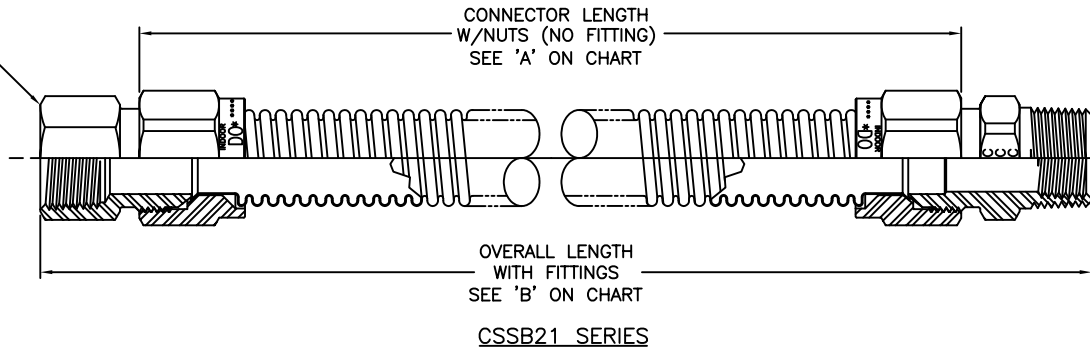


FITTING CODE: 14  
3/4 FLARE X 1" FIP



FITTING CODE: 12  
3/4 FLARE X 1" MIP (3/4 FIP)

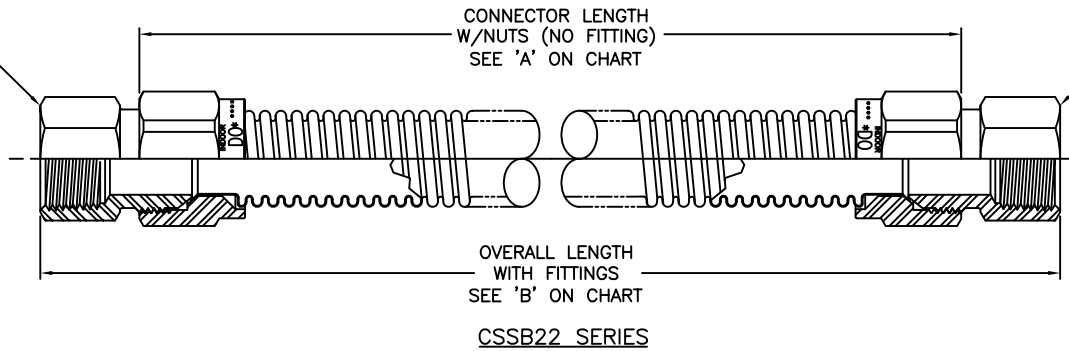
FITTING CODE: 2  
3/4 FLARE X 3/4 FIP



FITTING CODE: 1  
3/4 FLARE X 3/4 MIP (1/2 FIP)

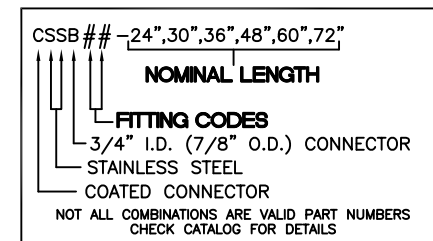
| NOMINAL LENGTH | 'A' (INCHES) | 'B' (INCHES) |
|----------------|--------------|--------------|
| 24             | 22           | 24.00/26.00  |
| 30             | 28           | 30.00/32.00  |
| 36             | 34           | 36.00/38.00  |
| 48             | 44           | 48.00/50.00  |
| 60             | 58           | 60.00/62.00  |
| 72             | 70           | 72.00/74.00  |

FITTING CODE: 2  
3/4 FLARE X 3/4 FIP



FITTING CODE: 2  
3/4 FLARE X 3/4 FIP

**FITTING CODE**



**NOTES:**

1. STAINLESS STEEL GAS CONNECTORS USE SS FLEX LABEL (001567).
2. A GAS CONNECTOR ASSEMBLY CONSISTS OF THE CORRUGATED TUBING AND TWO UNION FITTINGS. A MANUAL GAS SHUT OFF VALVE MAY BE SUBSTITUTED ON THE INLET. CONNECTORS WITHOUT FITTINGS (FITTING CODE "NN") ARE SOLD AS "NON" CERTIFIED PRODUCT.

This drawing and all data contained herein is the confidential and exclusive property of BrassCraft Manufacturing, and shall not be disclosed to others without the written consent of BrassCraft. This drawing must be returned to BrassCraft if requested.



|   |                    |   |   |
|---|--------------------|---|---|
| DESCRIPTION<br>CSSB LARGE DIA. GAS CONNECTOR ASSEMBLY (SUBMITTAL)   |                    | DRAWING NO.<br>GPA0328A   |   |
| DRAWN<br>PERNAK   | DATE<br>7/14/2005  | MATERIAL  | ITEM DESCRIPTION<br>CSSBXX-XX               |
| CHK'D.<br>Kilimkie  | DATE<br>07/15/2005 | VOLUME  | ITEM ID<br>CSSBXX-XX                        |
| APP'D.  | DATE               |   |   |
| KPC (KEY PRODUCT CHARACTERISTICS) <input type="checkbox"/><br>STPC (STANDARD PRODUCT CHARACTERISTICS) <input type="checkbox"/><br>PRODUCT MARKINGS <input type="checkbox"/> |                    | NOTE: UNLESS OTHERWISE SPECIFIED<br>TWO PLACE DECIMALS +/- .010<br>THREE PLACE DECIMALS +/- .005<br>ANGULARITY +/- 1° | UNITS<br>INCH<br>SCALE<br>FULL<br>REV.<br>A |