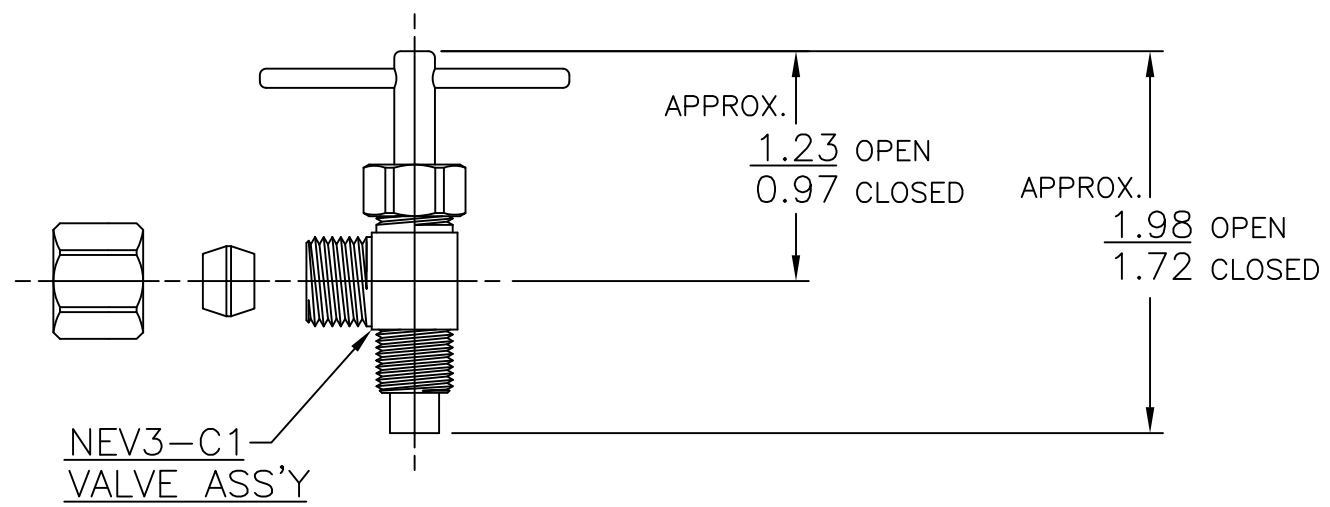
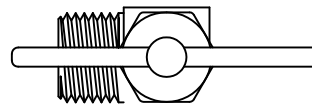


LET.	DATE	PER	BY	CHANGE
A	1/29/04	WFT	MJP	RELEASE



NOVI, MICHIGAN	
ALL GDT PER ANSI STD Y14.5M CLASSIFICATION OF QUALITY LEVELS	
CLASS	SYMBOL
KPC (KEY PRODUCT CHARACTERISTICS)	◇
STPC (STANDARD PRODUCT CHARACTERISTICS)	△
PRODUCT MARKINGS	○

DESCRIPTION 1/4 OD COMP X 1/8 MIP NEEDLE VALVE (SUBMITTAL)		DRAWING NO. VPA0948A			
DRAWN PERNAK	DATE: 01/29/2004	MATERIAL	ITEM DESCRIPTION NEV3-C1		
CHK'D. Klimkie	DATE: 01/29/2004		ITEM ID NEV3-C1		
APP'D.	DATE:	VOLUME			
NOTE: UNLESS OTHERWISE SPECIFIED		UNITS INCH	SCALE: (UNLESS NOTED) FULL	REV. A	
TWO PLACE DECIMALS					SIZE A
THREE PLACE DECIMALS					
ANGULARITY					

This drawing and all data contained herein is the confidential and exclusive property of BrassCraft Manufacturing, and shall not be disclosed to others without the written consent of BrassCraft. This drawing must be returned to BrassCraft if requested.