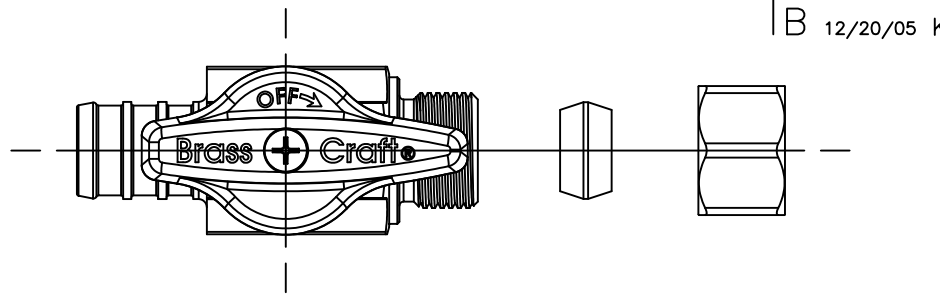
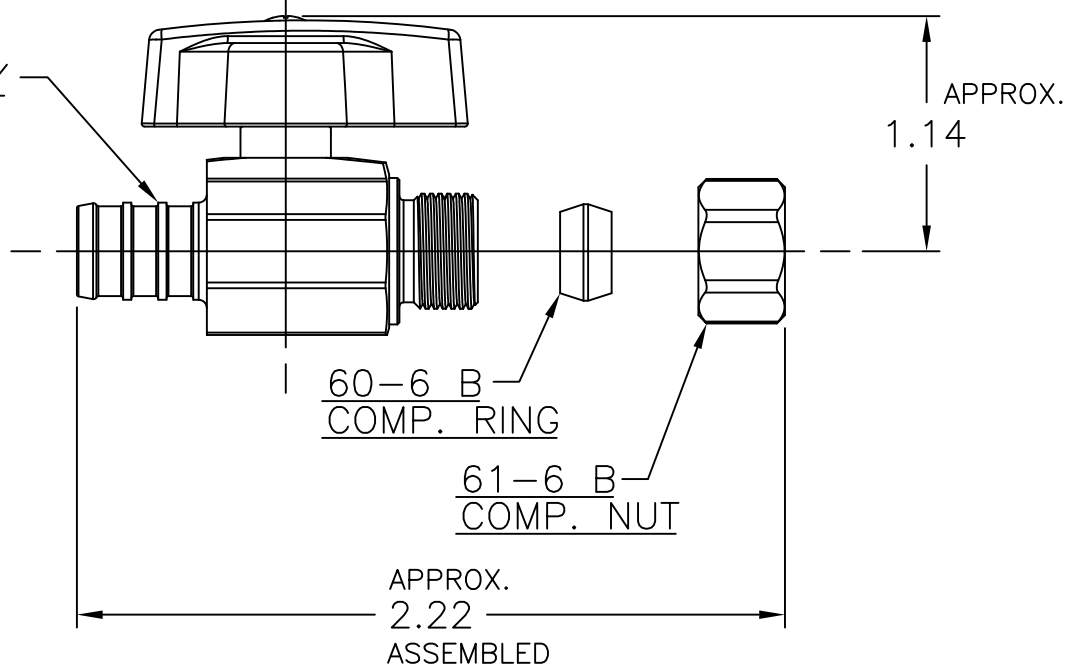


LET.	DATE	PER	BY	CHANGE
B	12/20/05	KAK	MJP	REVISED & UPDATED



KTBRPX14 VALVE ASSY



NOVI, MICHIGAN	
ALL GDT PER ANSI STD Y14.5M CLASSIFICATION OF QUALITY LEVELS	
CLASS	SYMBOL
KPC (KEY PRODUCT CHARACTERISTICS)	◇
STPC (STANDARD PRODUCT CHARACTERISTICS)	△
PRODUCT MARKINGS	○

DESCRIPTION		DRAWING NO.		
1/2 PEX X 3/8 OD COMP 1/4 TURN STRT BALL VALVE (SUBMITTAL)		VPA1027B		
DRAWN	DATE:	MATERIAL	ITEM DESCRIPTION	
SCHUTTE	08/18/2005			
CHK'D.	DATE:	VOLUME	ITEM ID	
Klimkie	12/20/2005			
APP'D.	DATE:	KTBRPX14 C		
NOTE: UNLESS OTHERWISE SPECIFIED		UNITS	SCALE: (UNLESS NOTED)	
TWO PLACE DECIMALS				INCH
THREE PLACE DECIMALS				
ANGULARITY				
+/- .010		A SIZE	REV. B	
+/- .005				
+/- 1°				

This drawing and all data contained herein is the confidential and exclusive property of BrassCraft Manufacturing, and shall not be disclosed to others without the written consent of BrassCraft. This drawing must be returned to BrassCraft if requested.