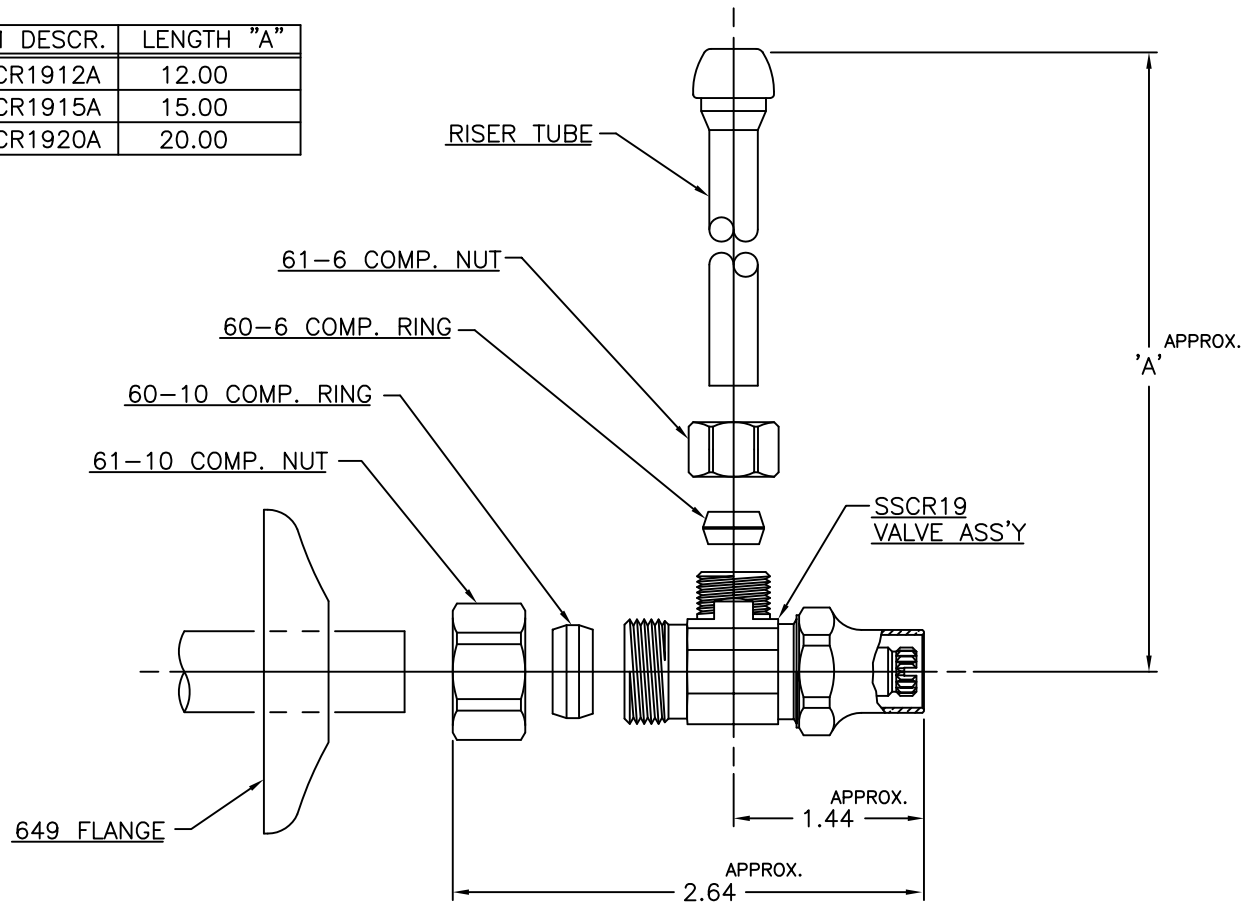



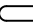



LET.	DATE	PER	BY	CHANGE
D	4/1/04	WFT	MJP	REVISED & UPDATED

ITEM I.D.	ITEM DESCR.	LENGTH "A"
SSCR1912A C	SSCR1912A	12.00
SSCR1915A C	SSCR1915A	15.00
SSCR1920A C	SSCR1920A	20.00



 <b>BrassCraft</b> A Masco Company NOVI, MICHIGAN ALL GDT PER ANSI STD Y14.5M CLASSIFICATION OF QUALITY LEVELS	DESCRIPTION 1/2 NOM COMP X 3/8 OD COMP VALVE W/RISER & SCREWDRIWER SLOT (SUBMITTAL)		DRAWING NO. VPA0546D		
	DRAWN PERNAK	DATE: 1/6/2003	MATERIAL	ITEM DESCRIPTION SSCR1912A SEE CHART	
	CHK'D. Klimkie	DATE: 04/01/2004	VOLUME	ITEM ID SSCR1912A C SEE CHART	
	CLASS	SYMBOL	APP'D. DATE:		
KPC (KEY PRODUCT CHARACTERISTICS)  STPC (STANDARD PRODUCT CHARACTERISTICS)  PRODUCT MARKINGS 	NOTE: UNLESS OTHERWISE SPECIFIED TWO PLACE DECIMALS +/- .010 THREE PLACE DECIMALS +/- .005 ANGULARITY +/- 1°		 UNITS INCH	SCALE: (UNLESS NOTED) FULL	REV. D

This drawing and all data contained herein is the confidential and exclusive property of BrassCraft Manufacturing, and shall not be disclosed to others without the written consent of BrassCraft. This drawing must be returned to BrassCraft if requested.