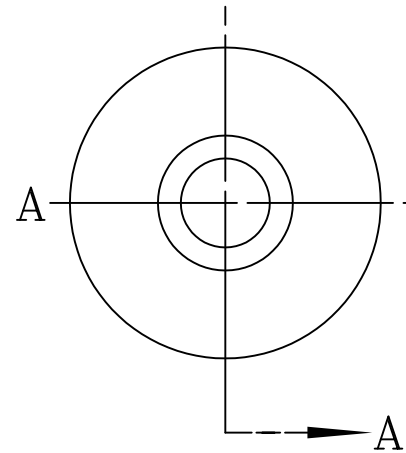
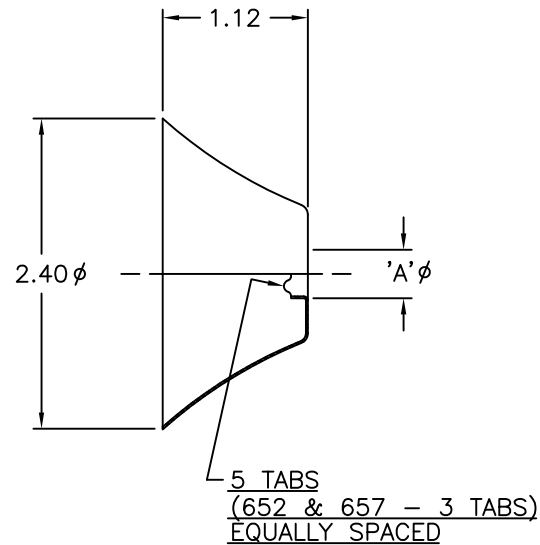




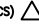

LET.	DATE	PER	BY	CHANGE
A	4/19/04	WFT	MJP	RELEASE



SECTION A-A

ITEM DESC.	ITEM ID	DIM 'A'	USED ON
650	650 C	.687	3/8" IRON PIPE (.675)
651	651 C	.844	1/2" IRON PIPE (.840)
652	652 C	.380	1/4" NOM. COPPER TUBING (.375)
657	657 C	.562	9/16" OD COPPER TUBING (.556)

This drawing and all data contained herein is the confidential and exclusive property of BrassCraft Manufacturing, and shall not be disclosed to others without the written consent of BrassCraft. This drawing must be returned to BrassCraft if requested.

 A Masco Company NOVI, MICHIGAN		DESCRIPTION		DRAWING NO.		
		BELL FLANGES (SUBMITTAL)		MPG0143A		
DRWN	DATE:	MATERIAL	ITEM DESCRIPTION			
PERNAK	4/19/2004		650			
CHK'D.	DATE:	VOLUME	ITEM ID			
Klimkie	04/20/2004		650 C			
APP'D.	DATE:		SEE CHART			
ALL GDT PER ANSI STD Y14.5M CLASSIFICATION OF QUALITY LEVELS CLASS SYMBOL		NOTE: UNLESS OTHERWISE SPECIFIED TWO PLACE DECIMALS +/- .010 THREE PLACE DECIMALS +/- .005 ANGULARITY +/- 1°		UNITS INCH	SCALE: (UNLESS NOTED) FULL	REV. A
KPC (KEY PRODUCT CHARACTERISTICS)  STPC (STANDARD PRODUCT CHARACTERISTICS)  PRODUCT MARKINGS 		SIZE 