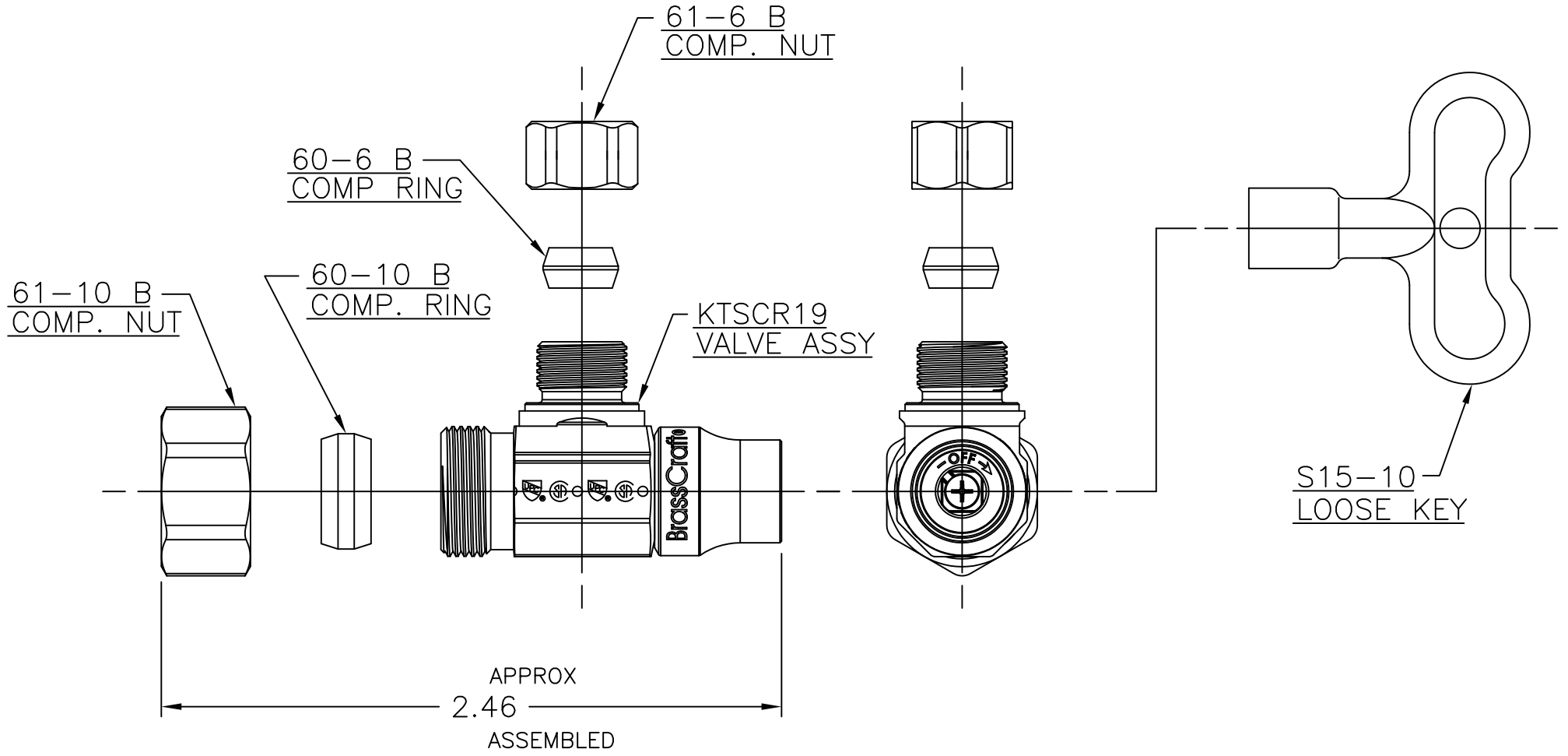


LET.	DATE	PER	BY	CHANGE
C	10/9/03	RDG	KAK	REVISED & UPDATED



NOVI, MICHIGAN	
ALL GDT PER ANSI STD Y14.5M CLASSIFICATION OF QUALITY LEVELS	
CLASS	SYMBOL
KPC (KEY PRODUCT CHARACTERISTICS)	◇
STPC (STANDARD PRODUCT CHARACTERISTICS)	△
PRODUCT MARKINGS	○

DESCRIPTION 1/2 NOM COMP X 3/8 OD COMP 1/4 TURN BALL VALVE W/LOOSE KEY (SUBMITTAL)	
DRAWN KLIMKIE	DATE: 10/9/03
CHK'D. Green	DATE: 12/04/2003
APP'D.	DATE:
NOTE: UNLESS OTHERWISE SPECIFIED TWO PLACE DECIMALS +/- .010 THREE PLACE DECIMALS +/- .005 ANGULARITY +/- 1°	

DRAWING NO. VPA0835C
ITEM DESCRIPTION KTSCR19
ITEM ID KTSCR19 C
UNITS INCH
SCALE: (UNLESS NOTED) FULL
REV. C

This drawing and all data contained herein is the confidential and exclusive property of BrassCraft Manufacturing, and shall not be disclosed to others without the written consent of BrassCraft. This drawing must be returned to BrassCraft if requested.