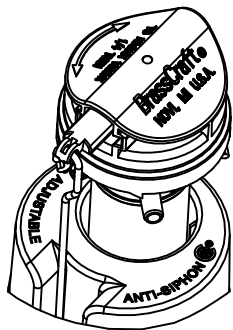
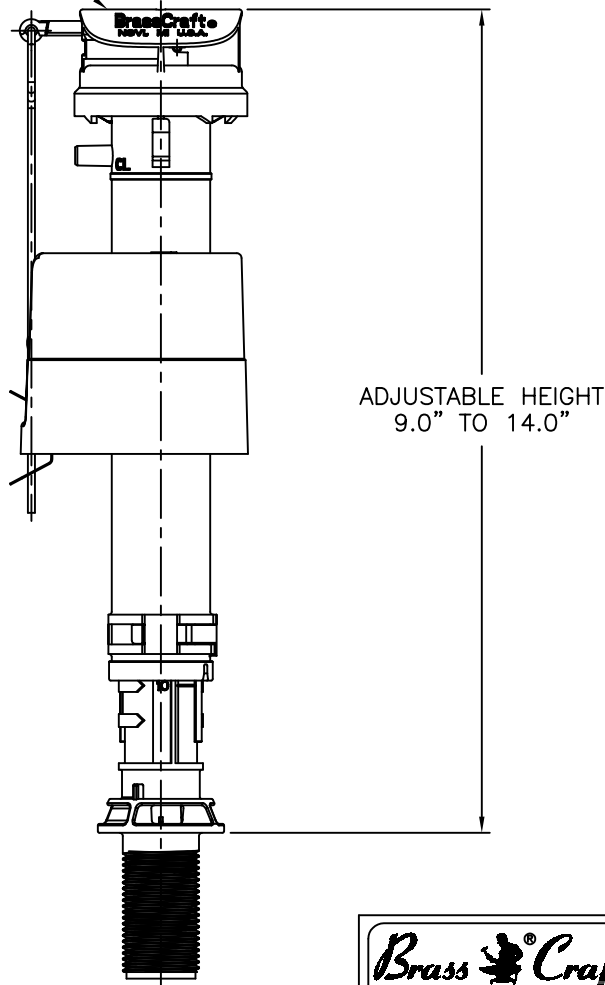


LET.	DATE	PER	BY	CHANGE
A	4/5/04	WFT	MJP	RELEASE

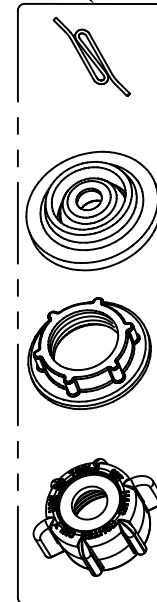
NOTE:
 FOR CLARITY, CAP ASSEMBLY IS NOT SHOWN IN ASSEMBLED ROTATIONAL POSITION. SEE PICTORIAL VIEW FOR PROPER CAP ORIENTATION.



PICTORIAL VIEW SHOWING ASSEMBLED ORIENTATION OF CAP TO BODY.



THESE ITEMS IN POLY BAG



This drawing and all data contained herein is the confidential and exclusive property of BrassCraft Manufacturing, and shall not be disclosed to others without the written consent of BrassCraft. This drawing must be returned to BrassCraft if requested.

<p>BrassCraft A Masco Company NOVI, MICHIGAN</p>	DESCRIPTION		DRAWING NO.
	PILOT OPERATED FILL VALVE 15/16-14 INLET THREAD (SUBMITTAL)		MPA0090A
	DRAWN	DATE:	MATERIAL
	PERNAK	04/05/2004	
CHK'D.	DATE:		ITEM DESCRIPTION
Klimkie	04/05/2004		BCT015 H
APP'D.	DATE:	VOLUME	ITEM ID
			BCT015 H
KPC (KEY PRODUCT CHARACTERISTICS) STPC (STANDARD PRODUCT CHARACTERISTICS) PRODUCT MARKINGS	NOTE: UNLESS OTHERWISE SPECIFIED TWO PLACE DECIMALS +/- .010 THREE PLACE DECIMALS +/- .005 ANGULARITY +/- 1°		UNITS INCH
	 SIZE	SCALE: (UNLESS NOTED) FULL	REV. A