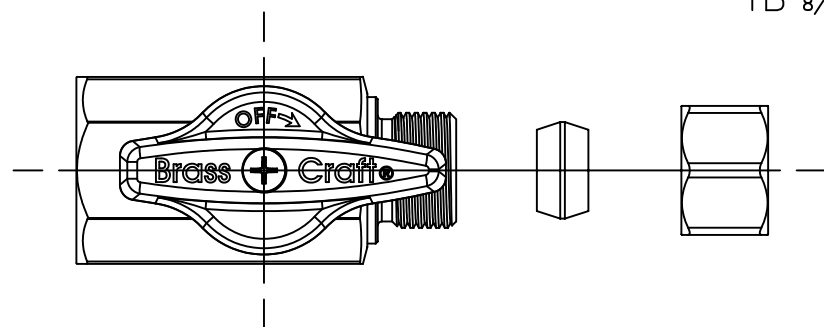
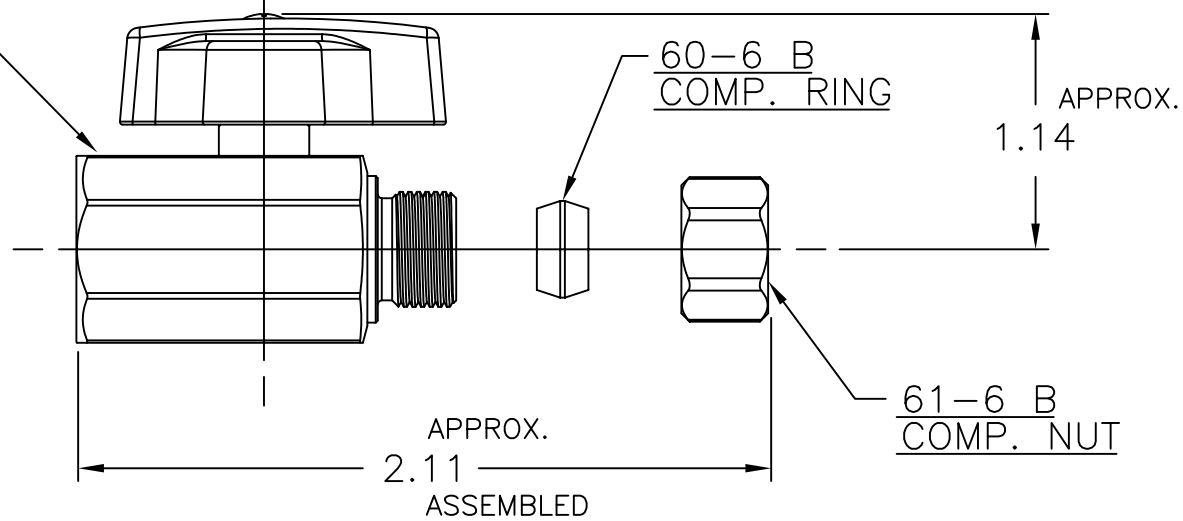


LET.	DATE	PER	BY	CHANGE
B	8/29/03	WFT	KAK	REVISED & UPDATED



KTR12 VALVE ASSY



NOVI, MICHIGAN

ALL GDT PER ANSI STD Y14.5M
CLASSIFICATION OF QUALITY LEVELS

CLASS	SYMBOL
KPC (KEY PRODUCT CHARACTERISTICS)	◇
STPC (STANDARD PRODUCT CHARACTERISTICS)	△
PRODUCT MARKINGS	○

DESCRIPTION
1/2 FIP X 3/8 OD COMP
1/4 TURN STRT BALL VALVE (SUBMITTAL)

DRAWN	DATE:
KLIMKIE	04/01/2002
CHK'D.	DATE:
Green	09/11/2003
APP'D.	DATE:

MATERIAL
VOLUME

DRAWING NO.
VPA0846B

ITEM DESCRIPTION
KTR12

ITEM ID
KTR12 C

This drawing and all data contained herein is the confidential and exclusive property of BrassCraft Manufacturing, and shall not be disclosed to others without the written consent of BrassCraft. This drawing must be returned to BrassCraft if requested.

NOTE: UNLESS OTHERWISE SPECIFIED
TWO PLACE DECIMALS +/- .010
THREE PLACE DECIMALS +/- .005
ANGULARITY +/- 1°



UNITS
INCH

SCALE:
(UNLESS NOTED)
FULL

REV.
B