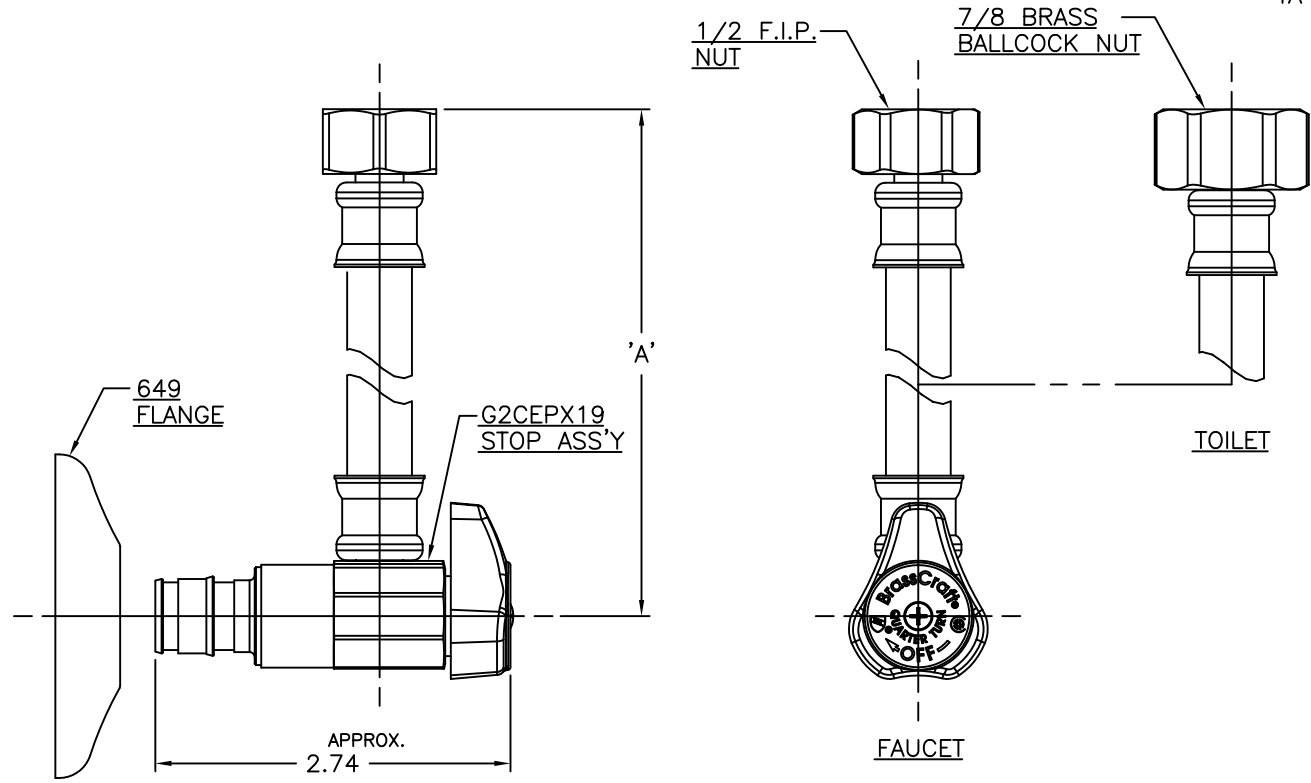


LET.	DATE	PER	BY	CHANGE
A	01/25/07	JPS	JPS	RELEASE



ITEM I.D.	DESCRIPTION	DIM 'A'
G2CEPX19B120DLM C	1/2 NOM COLD EXPANSION PEX X 7/8 BALLCOCK NUT W/ 12" RISER (TOILET)	12.50/13.50
G2CEPX19B160A C	1/2 NOM COLD EXPANSION PEX X 1/2 F.I.P. W/ 16" RISER (FAUCET)	16.50/17.50
G2CEPX19B200A C	1/2 NOM COLD EXPANSION PEX X 1/2 F.I.P. W/ 20" RISER (FAUCET)	20.50/21.50

This drawing and all data contained herein is the confidential and exclusive property of BrassCraft Manufacturing, and shall not be disclosed to others without the written consent of BrassCraft. This drawing must be returned to BrassCraft if requested.

<p>BrassCraft A Masco Company NOVI, MICHIGAN ALL GDT PER ANSI STD Y14.5M CLASSIFICATION OF QUALITY LEVELS</p>	DESCRIPTION	DRAWING NO.	
	1/2 NOM COLD EXPANSION PEX X SPEEDI-ONE QUARTER TURN ANGLE STOP (SUBMITTAL)	VPA1088A	
	DRAWN DATE: SCHUTTE 01/25/2007 CHK'D. DATE: Klimkie 01/25/2007 APP'D. DATE:	MATERIAL VOLUME	ITEM DESCRIPTION G2CEPX19B120DLM SEE CHART ITEM ID G2CEPX19B120DLM C SEE CHART
	KPC (KEY PRODUCT CHARACTERISTICS) STPC (STANDARD PRODUCT CHARACTERISTICS) PRODUCT MARKINGS	NOTE: UNLESS OTHERWISE SPECIFIED TWO PLACE DECIMALS +/- .010 THREE PLACE DECIMALS +/- .005 ANGULARITY +/- 1°	UNITS: INCH SCALE: FULL REV. A