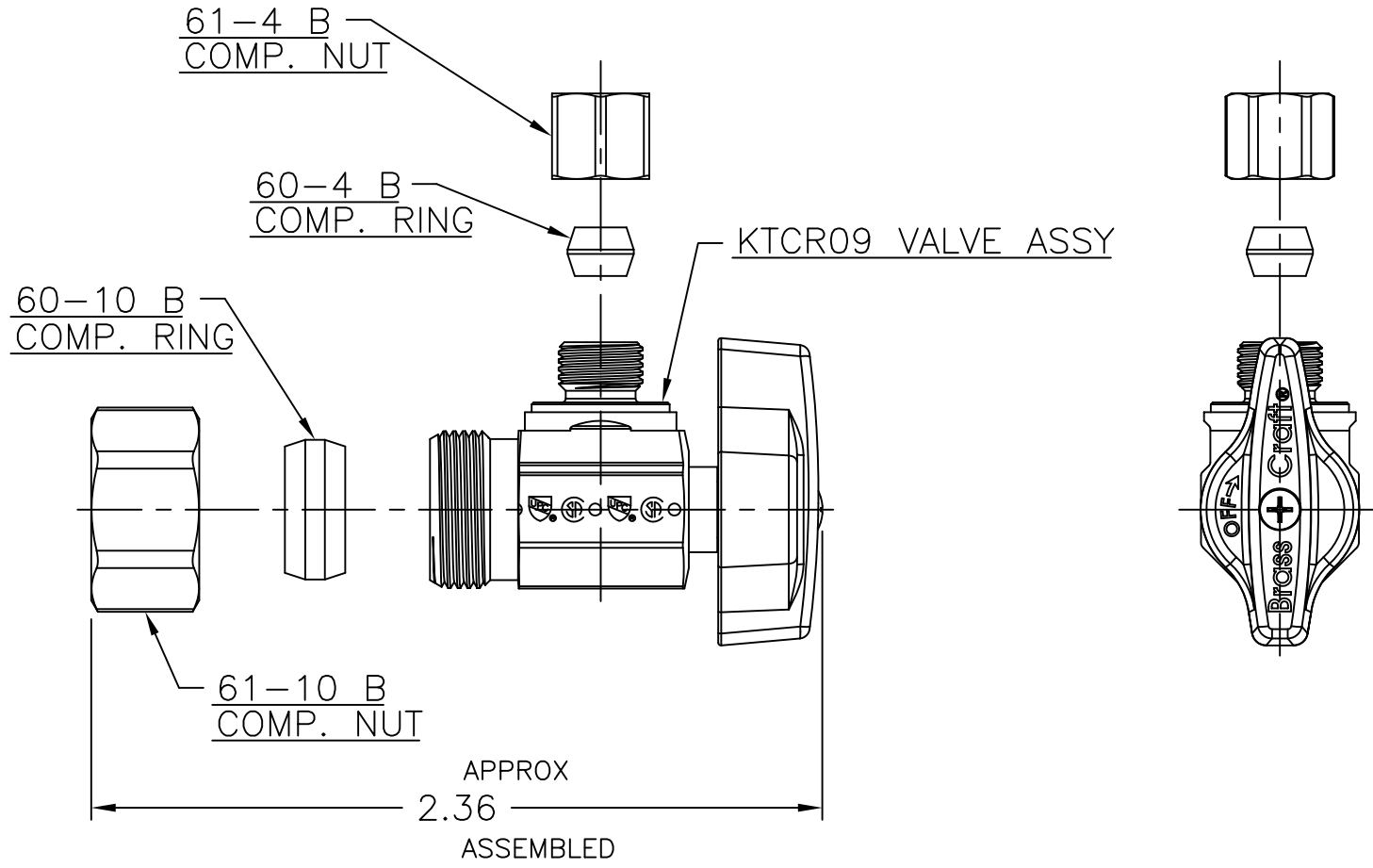


LET.	DATE	PER	BY	CHANGE
A	01/31/05	JPS	KAK	RELEASE



NOVI, MICHIGAN	
ALL GDT PER ANSI STD Y14.5M CLASSIFICATION OF QUALITY LEVELS	
CLASS	SYMBOL
KPC (KEY PRODUCT CHARACTERISTICS)	◇
STPC (STANDARD PRODUCT CHARACTERISTICS)	△
PRODUCT MARKINGS	○

DESCRIPTION		DRAWING NO.	
1/2 NOM COMP X 1/4 OD COMP 1/4 TURN BALL VALVE (SUBMITTAL)		VPA0997A	
DRAWN	DATE:	MATERIAL	ITEM DESCRIPTION
KLIMKIE	01/31/2005		KTCR09
CHK'D.	DATE:	VOLUME	ITEM ID
Schutte	01/31/2005		KTCR09 C
APP'D.	DATE:	NOTE: UNLESS OTHERWISE SPECIFIED	
		TWO PLACE DECIMALS +/- .010	
		THREE PLACE DECIMALS +/- .005	
		ANGULARITY +/- 1°	

This drawing and all data contained herein is the confidential and exclusive property of BrassCraft Manufacturing, and shall not be disclosed to others without the written consent of BrassCraft. This drawing must be returned to BrassCraft if requested.

**A**  
SIZE

UNITS  
**INCH**

SCALE:  
(UNLESS NOTED)  
**FULL**

REV.  
**A**