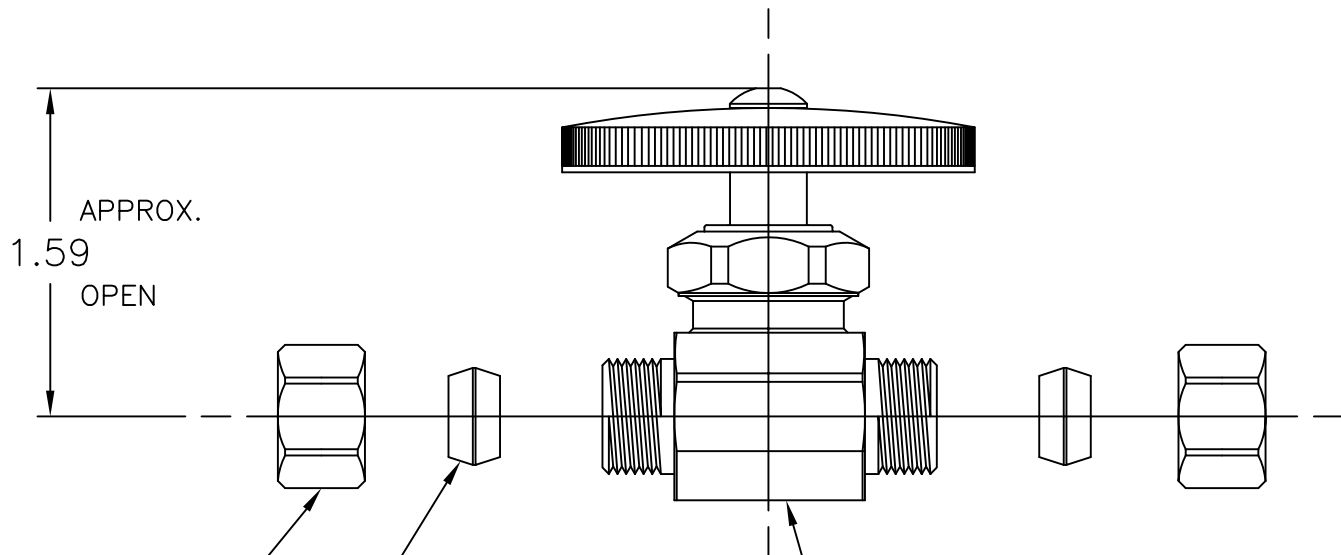


LET.	DATE	PER	BY	CHANGE
C	5/8/03	WFT	MJP	REVISED & UPDATED



61-6 COMP. NUT
2 PLACES

60-6 COMP. RING
2 PLACES

OCR11 VALVE ASS'Y

ITEM I.D.	
CHROME	ROUGH
OCR11 C	OCR11 R



DESCRIPTION
3/8 NOM COMP X 3/8 OD COMP
STRAIGHT VALVE (SUBMITTAL)

DRAWING NO.
VPA0501C

DRAWN
PERNAK 11/18/2002

DATE:
11/18/2002

ITEM DESCRIPTION
OCR11

CHK'D.
Klimkie 05/09/2003

DATE:
05/09/2003

ITEM ID
OCR11 C
SEE CHART

APP'D.
DATE:

DATE:

SCALE:
(UNLESS NOTED)
FULL

This drawing and all data contained herein is the confidential and exclusive property of BrassCraft Manufacturing, and shall not be disclosed to others without the written consent of BrassCraft. This drawing must be returned to BrassCraft if requested.

CLASS	SYMBOL
KPC (KEY PRODUCT CHARACTERISTICS)	◇
STPC (STANDARD PRODUCT CHARACTERISTICS)	△
PRODUCT MARKINGS	○

NOTE: UNLESS OTHERWISE SPECIFIED
TWO PLACE DECIMALS +/- .010
THREE PLACE DECIMALS +/- .005
ANGULARITY +/- 1°

SIZE

UNITS
INCH

REV.
C