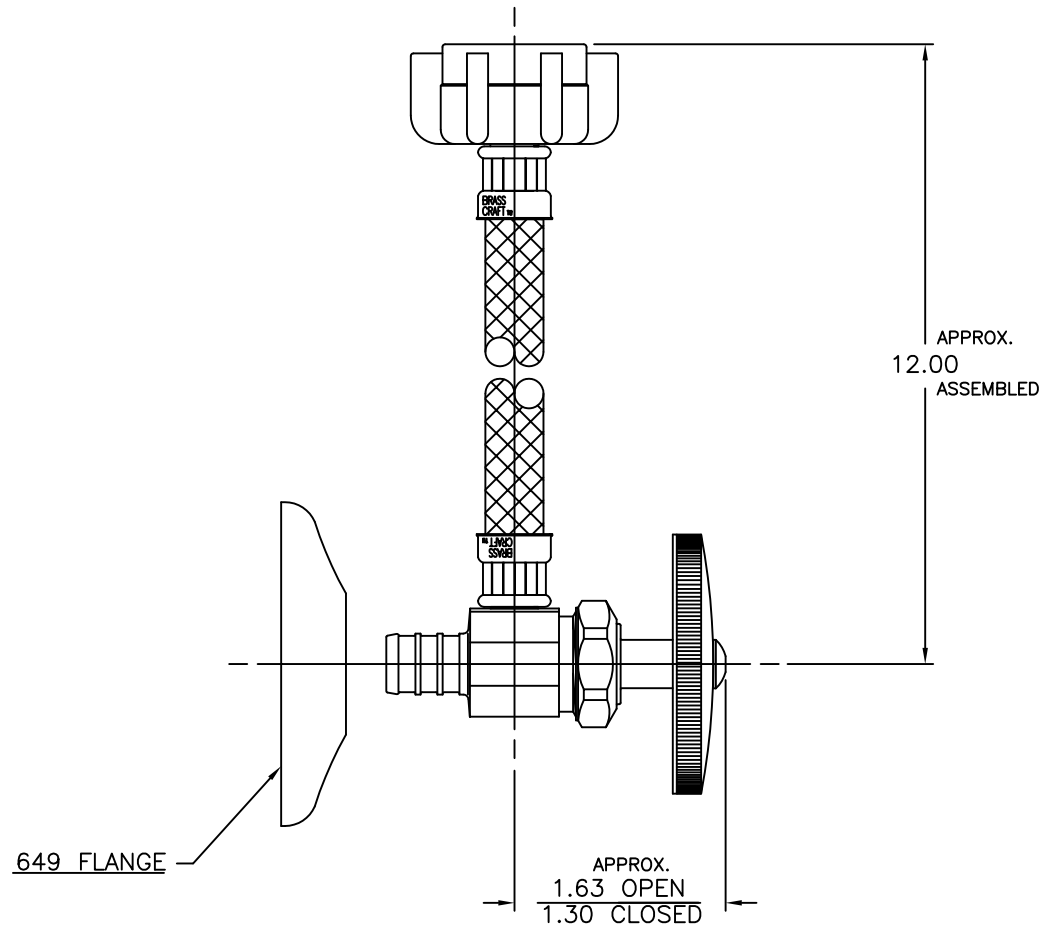


LET.	DATE	PER	BY	CHANGE
A	1/26/06	JPS	KAK	RELEASE



NOVI, MICHIGAN
 ALL GDT PER ANSI STD Y14.5M
 CLASSIFICATION OF QUALITY LEVELS
 CLASS SYMBOL
 KPC (KEY PRODUCT CHARACTERISTICS) \diamond
 STPC (STANDARD PRODUCT CHARACTERISTICS) \triangle
 PRODUCT MARKINGS \square

This drawing and all data contained herein is the confidential and exclusive property of BrassCraft Manufacturing, and shall not be disclosed to others without the written consent of BrassCraft. This drawing must be returned to BrassCraft if requested.

DESCRIPTION 1/2 NOM BARB X 7/8 FIP VINYL BALLCOCK RISER (SUBMITTAL)		DRAWING NO. VPA1052A	
DRAWN KLIMKIE	DATE: 01/26/2006	MATERIAL	ITEM DESCRIPTION BRPX19V120DL
CHK'D. Pernak	DATE: 01/26/2006	VOLUME	ITEM ID BRPX19V120DL C
APP'D.	DATE:	NOTE: UNLESS OTHERWISE SPECIFIED TWO PLACE DECIMALS +/- .010 THREE PLACE DECIMALS +/- .005 ANGULARITY +/- 1°	



UNITS
INCH

SCALE:
(UNLESS NOTED)
FULL

REV.
A