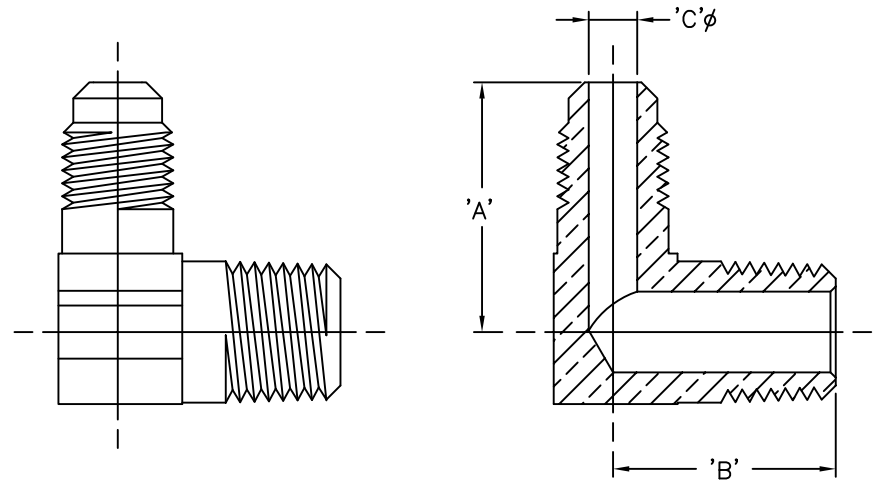


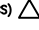




LET.	DATE	PER	BY	CHANGE
B	2/28/07	JPS	KAK	REVISED & UPDATED

ITEM I.D.	TUBE SIZE	PIPE THREAD	STRAIGHT THREAD	DIM 'A'	DIM 'B'	DIM 'C'
49-3-2 B	3/16	1/8	3/8-24	.73	.69	.125
49-4-2 B	1/4	1/8	7/16-20	.86	.72	.188
49-4-4 B	1/4	1/4	7/16-20	.89	.86	.188
49-4-6 B	1/4	3/8	7/16-20	.94	.95	.188
49-5-2 B	5/16	1/8	1/2-20	.89	.80	.219
49-5-4 B	5/16	1/4	1/2-20	.97	.94	.219
49-6-2 B	3/8	1/8	5/8-18	1.04	.92	.281
49-6-4 B	3/8	1/4	5/8-18	1.00	1.06	.281
49-6-6 B	3/8	3/8	5/8-18	1.04	1.01	.281
49-6-8 B	3/8	1/2	5/8-18	1.14	1.18	.281
49-8-4 B	1/2	1/4	3/4-16	1.22	1.19	.406
49-8-6 B	1/2	3/8	3/4-16	1.22	1.12	.406
49-8-8 B	1/2	1/2	3/4-16	1.26	1.36	.406
49-10-8 B	5/8	1/2	7/8-14	1.42	1.38	.500



This drawing and all data contained herein is the confidential and exclusive property of BrassCraft Manufacturing, and shall not be disclosed to others without the written consent of BrassCraft. This drawing must be returned to BrassCraft if requested.

 A Masco Company NOVI, MICHIGAN ALL GDT PER ANSI STD Y14.5M CLASSIFICATION OF QUALITY LEVELS		DESCRIPTION FLARE X MIP ELBOW (SUBMITTAL)		DRAWING NO. FFE3263B	
		DRAWN PERNAK DATE: 11/10/2004	MATERIAL		ITEM DESCRIPTION 49-3-2
CLASS SYMBOL KPC (KEY PRODUCT CHARACTERISTICS)  STPC (STANDARD PRODUCT CHARACTERISTICS)  PRODUCT MARKINGS 		CHK'D. Schutte DATE: 03/01/2007	VOLUME		ITEM ID 49-3-2 B
		APP'D.	DATE:	SEE CHART	
		NOTE: UNLESS OTHERWISE SPECIFIED TWO PLACE DECIMALS +/- .010 THREE PLACE DECIMALS +/- .005 ANGULARITY +/- 1°		 SIZE	UNITS INCH
				SCALE: (UNLESS NOTED) 2:1	REV. B