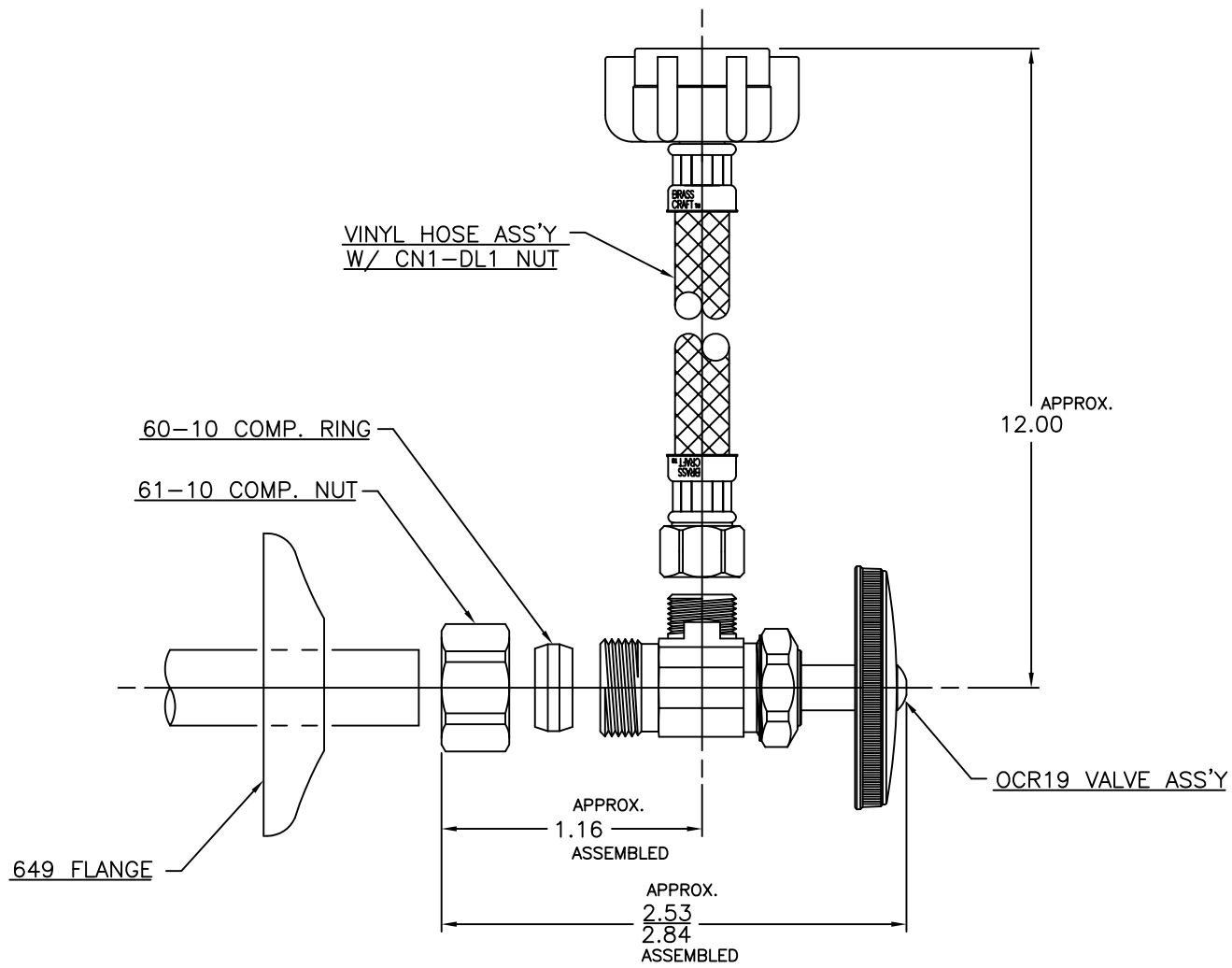

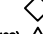
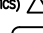




LET.	DATE	PER	BY	CHANGE
A	2/20/06	KAK	MJP	RELEASE



 BrassCraft A Masco Company NOVI, MICHIGAN	DESCRIPTION 1/2 NOM COMP X 3/8 OD COMP VLV W/VINYL BALLCOCK RISER (SUBMITTAL)		DRAWING NO. VPA1056A		
	DRAWN PERNAK	DATE: 02/20/2006	MATERIAL	ITEM DESCRIPTION OCR19V12DL	
	CHK'D. Klimkie	DATE: 02/20/2006		VOLUME	ITEM ID OCR19V12DL C
	ALL GDT PER ANSI STD Y14.5M CLASSIFICATION OF QUALITY LEVELS		APP'D. DATE:		UNITS INCH
CLASS SYMBOL KPC (KEY PRODUCT CHARACTERISTICS) 		NOTE: UNLESS OTHERWISE SPECIFIED TWO PLACE DECIMALS +/- .010 THREE PLACE DECIMALS +/- .005 ANGULARITY +/- 1°		SCALE: (UNLESS NOTED) FULL	
STPC (STANDARD PRODUCT CHARACTERISTICS) 		SIZE 			
PRODUCT MARKINGS 					

This drawing and all data contained herein is the confidential and exclusive property of BrassCraft Manufacturing, and shall not be disclosed to others without the written consent of BrassCraft. This drawing must be returned to BrassCraft if requested.