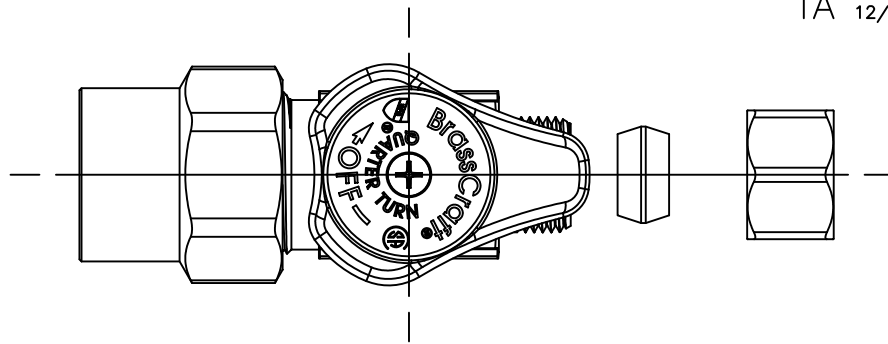
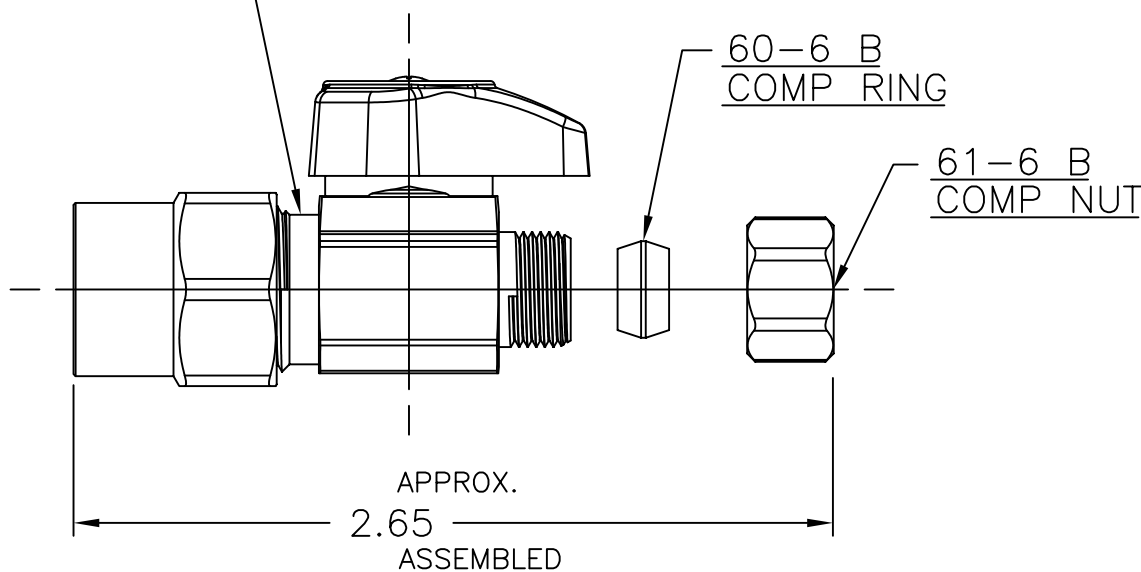


LET.	DATE	PER	BY	CHANGE
A	12/12/07	JPS	KAK	RELEASE



G2PR14 VALVE ASS'Y



DESCRIPTION		DRAWING NO.	
1/2 NOM CPVC X 3/8 OD COMP QUARTER TURN STRAIGHT STOP (SUBMITTAL)		VPA1110A	
DRAWN	DATE:	MATERIAL	ITEM DESCRIPTION
KLIMKIE	12/12/2007		
CHK'D.	DATE:	VOLUME	ITEM ID
Schutte	12/14/2007		
APP'D.	DATE:	UNITS	SCALE: (UNLESS NOTED)
NOTE: UNLESS OTHERWISE SPECIFIED			
TWO PLACE DECIMALS +/- .010		SIZE	REV.
THREE PLACE DECIMALS +/- .005			
ANGULARITY +/- 1°			

This drawing and all data contained herein is the confidential and exclusive property of BrassCraft Manufacturing, and shall not be disclosed to others without the written consent of BrassCraft. This drawing must be returned to BrassCraft if requested.

ALL GDT PER ANSI STD Y14.5M CLASSIFICATION OF QUALITY LEVELS	
CLASS	SYMBOL
KPC (KEY PRODUCT CHARACTERISTICS)	◇
STPC (STANDARD PRODUCT CHARACTERISTICS)	△
PRODUCT MARKINGS	○