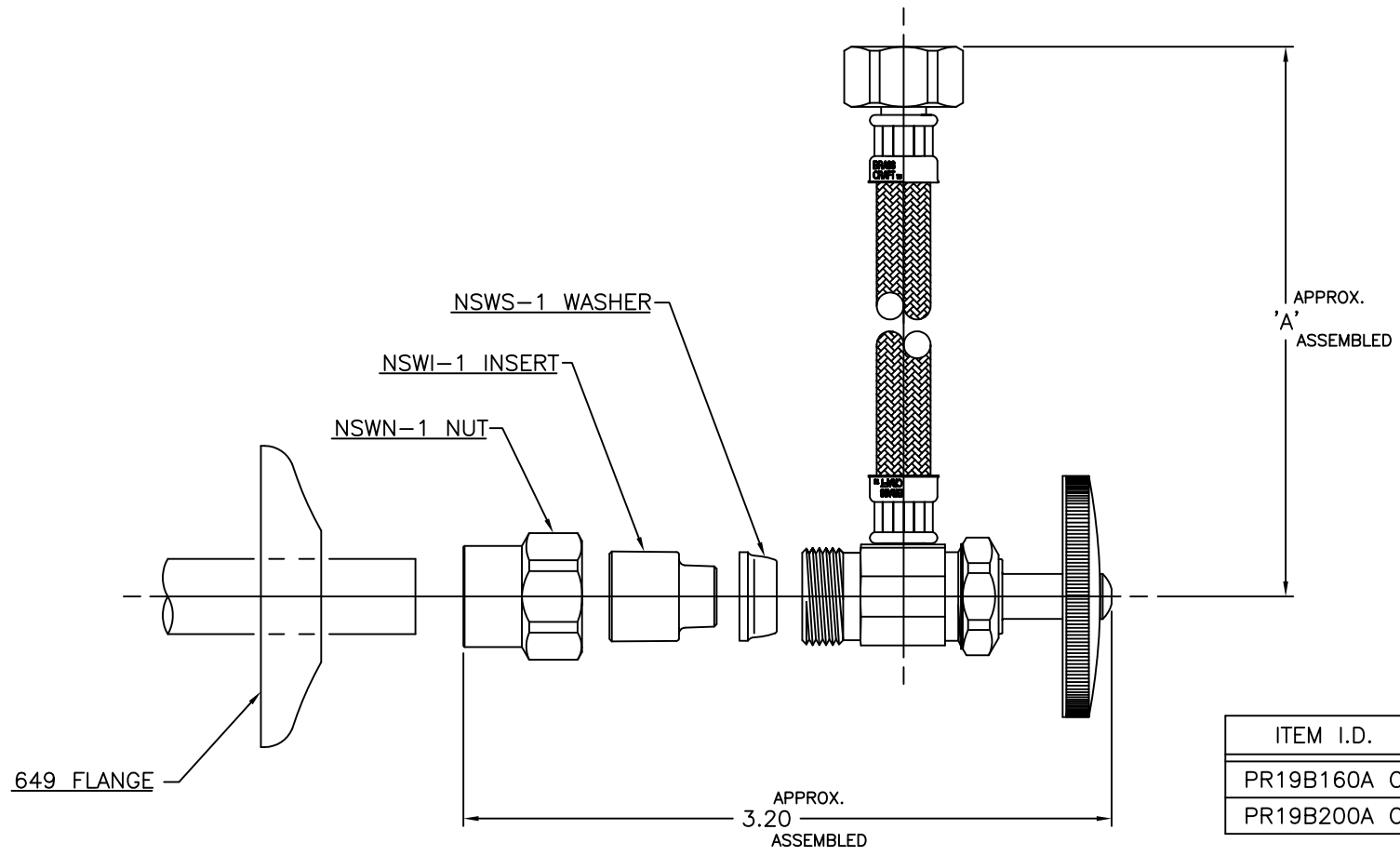

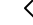
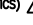



LET.	DATE	PER	BY	CHANGE
A	1/10/06	KAK	MJP	RELEASE



ITEM I.D.	ITEM DESC.	LENGTH 'A'
PR19B160A C	PR19B160A	16.50/17.50
PR19B200A C	PR19B200A	20.50/21.50

 BrassCraft A Masco Company NOVI, MICHIGAN	DESCRIPTION 1/2 NOM CPVC X 1/2 FIP POLYMER FAUCET RISER (SUBMITTAL)		DRAWING NO. VPA1044A				
	DRAWN PERNAK 01/10/2006	DATE: 01/10/2006	MATERIAL	ITEM DESCRIPTION PR19B160A SEE CHART			
	CHK'D. Klimkie 01/10/2006	DATE: 01/10/2006	VOLUME	ITEM ID PR19B160A C SEE CHART			
	APP'D. DATE:		NOTE: UNLESS OTHERWISE SPECIFIED TWO PLACE DECIMALS +/- .010 THREE PLACE DECIMALS +/- .005 ANGULARITY +/- 1°				
ALL GDT PER ANSI STD Y14.5M CLASSIFICATION OF QUALITY LEVELS CLASS SYMBOL		KPC (KEY PRODUCT CHARACTERISTICS) 	STPC (STANDARD PRODUCT CHARACTERISTICS) 	PRODUCT MARKINGS 	UNITS INCH	SCALE: (UNLESS NOTED) FULL	REV. A

This drawing and all data contained herein is the confidential and exclusive property of BrassCraft Manufacturing, and shall not be disclosed to others without the written consent of BrassCraft. This drawing must be returned to BrassCraft if requested.