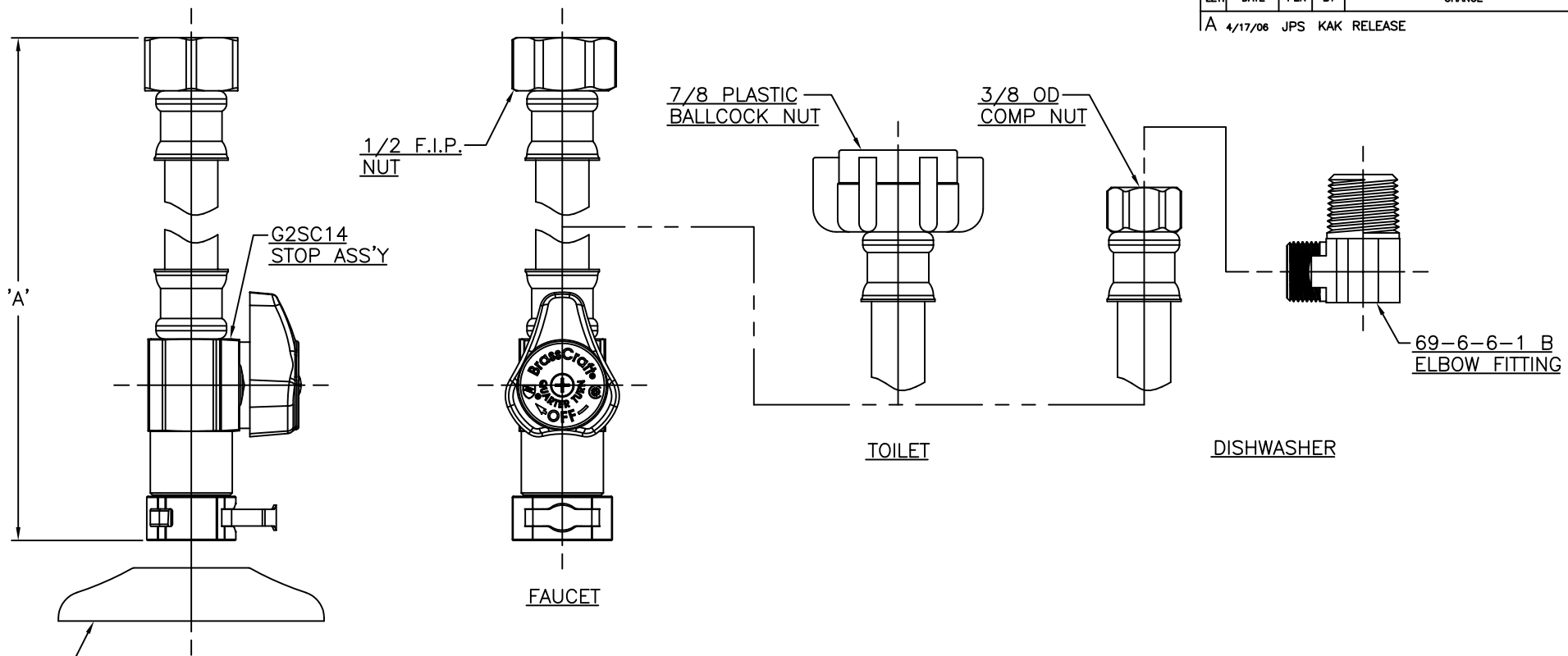


LET.	DATE	PER	BY	CHANGE
A	4/17/06	JPS	KAK	RELEASE



649
FLANGE

ITEM I.D.	DESCRIPTION	DIM 'A'
G2SC14B120DL C	SURECONNECT X 7/8 BALLCOCK NUT W/ 12" RISER (TOILET)	13.96/14.96
G2SC14B160A C	SURECONNECT X 1/2 F.I.P. W/ 16" RISER (FAUCET)	17.96/18.96
G2SC14B200A C	SURECONNECT X 1/2 F.I.P. W/ 20" RISER (FAUCET)	21.96/22.96
G2SC14B720DW6 C	SURECONNECT X 3/8 OD COMP NUT W/ 72" RISER & FITTING (DISHWASHER)	73.96/74.96

This drawing and all data contained herein is the confidential and exclusive property of BrassCraft Manufacturing, and shall not be disclosed to others without the written consent of BrassCraft. This drawing must be returned to BrassCraft if requested.



ALL GDT PER ANSI STD Y14.5M
CLASSIFICATION OF QUALITY LEVELS

CLASS SYMBOL

KPC (KEY PRODUCT CHARACTERISTICS) \diamond

STPC (STANDARD PRODUCT CHARACTERISTICS) \triangle

PRODUCT MARKINGS \square

DESCRIPTION
SURECONNECT X SPEEDI-ONE
QUARTER TURN STRAIGHT STOP (SUBMITTAL)

DRAWN DATE: KLIMKIE 04/17/2006

CHK'D DATE: Schutte 04/18/2006

APP'D DATE:

NOTE: UNLESS OTHERWISE SPECIFIED
TWO PLACE DECIMALS +/- .010
THREE PLACE DECIMALS +/- .005
ANGULARITY +/- 1'

DRAWING NO. VPA1066A

ITEM DESCRIPTION G2SC14B120DL
SEE CHART

ITEM ID G2SC14B120DL C
SEE CHART

UNITS INCH

SCALE: (UNLESS NOTED) FULL

REV. A