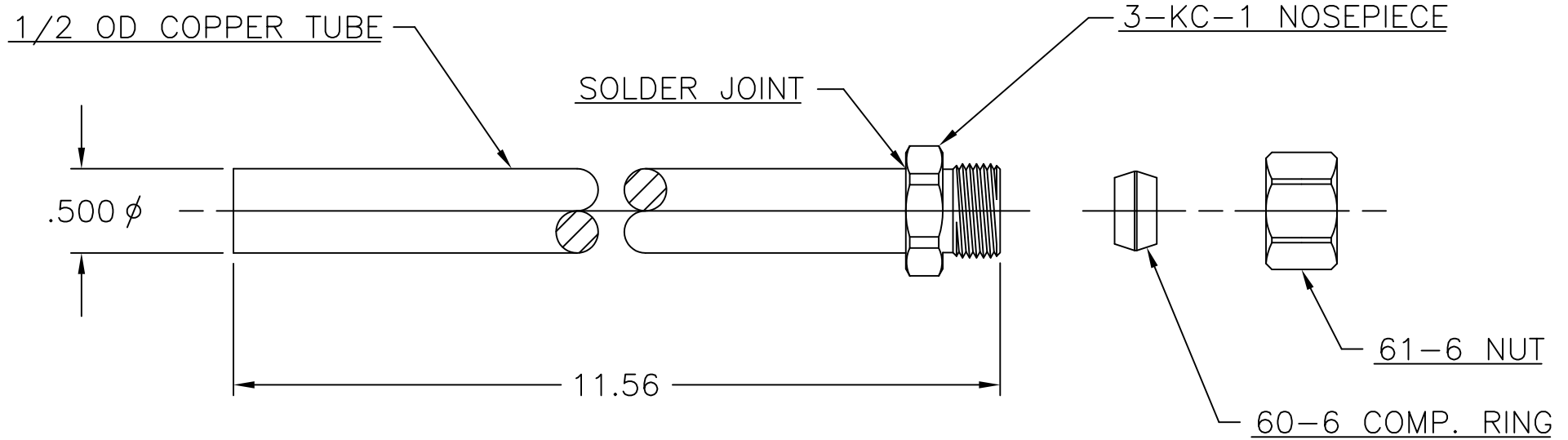



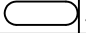


| | | | | |
|------|---------|-----|-----|-------------------|
| LET. | DATE | PER | BY | CHANGE |
| B | 6/15/04 | JPS | KAK | REVISED & UPDATED |



| | | | | |
|--|---|---------------|----------------------------------|-----------|
|  BrassCraft [®] A Masco Company NOVI, MICHIGAN | DESCRIPTION | | DRAWING NO. | |
| | 1/2 OD COMP. RISER TUBE ASSEMBLY (SUBMITTAL) | | RPA0088B | |
| | DRAWN: PERNAK DATE: 12/20/2002 | MATERIAL | ITEM DESCRIPTION | |
| | CHK'D: Schutte DATE: 06/17/2004 | VOLUME | 3-12KC | |
| APP'D. DATE: | | ITEM ID | | |
| | | 3-12KC C | | |
| ALL GDT PER ANSI STD Y14.5M CLASSIFICATION OF QUALITY LEVELS | NOTE: UNLESS OTHERWISE SPECIFIED TWO PLACE DECIMALS +/- .010 THREE PLACE DECIMALS +/- .005 ANGULARITY +/- 1° | UNITS INCH | SCALE: (UNLESS NOTED) FULL | REV. B |
| CLASS SYMBOL KPC (KEY PRODUCT CHARACTERISTICS)  STPC (STANDARD PRODUCT CHARACTERISTICS)  PRODUCT MARKINGS  | | | | |

This drawing and all data contained herein is the confidential and exclusive property of BrassCraft Manufacturing, and shall not be disclosed to others without the written consent of BrassCraft. This drawing must be returned to BrassCraft if requested.