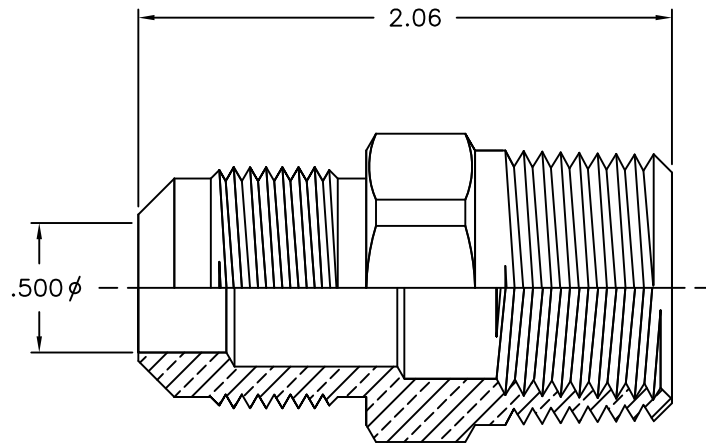
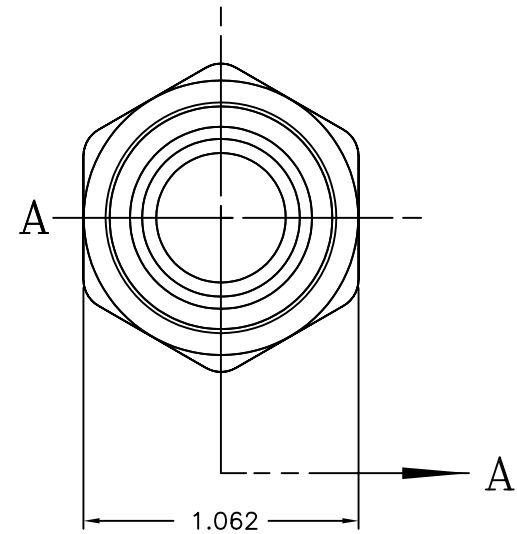




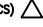
LET.	DATE	PER	BY	CHANGE
A	2/27/04	JPS	KAK	RELEASE



SECTION A-A



This drawing and all data contained herein is the confidential and exclusive property of BrassCraft Manufacturing, and shall not be disclosed to others without the written consent of BrassCraft. This drawing must be returned to BrassCraft if requested.

 <b>BrassCraft</b> A Masco Company NOVI, MICHIGAN	DESCRIPTION 5/8 OD FLARE X 3/4 MIP (TAPPED 1/2 FIP) UNION - SUBMITTAL		DRAWING NO. GPU0331A			
	DRAWN KLIMKIE 02/27/2004	DATE: 02/27/2004	MATERIAL	ITEM DESCRIPTION MAU2-10-12		
	CHK'D. Schutte 02/27/2004	DATE: 02/27/2004	VOLUME	ITEM ID MAU2-10-12 B		
	CLASS KPC (KEY PRODUCT CHARACTERISTICS) 	SYMBOL STPC (STANDARD PRODUCT CHARACTERISTICS) 	APP'D. DATE:	NOTE: UNLESS OTHERWISE SPECIFIED TWO PLACE DECIMALS +/- .010 THREE PLACE DECIMALS +/- .005 ANGULARITY +/- 1°	UNITS INCH	SCALE: (UNLESS NOTED) FULL

PRODUCT MARKINGS 