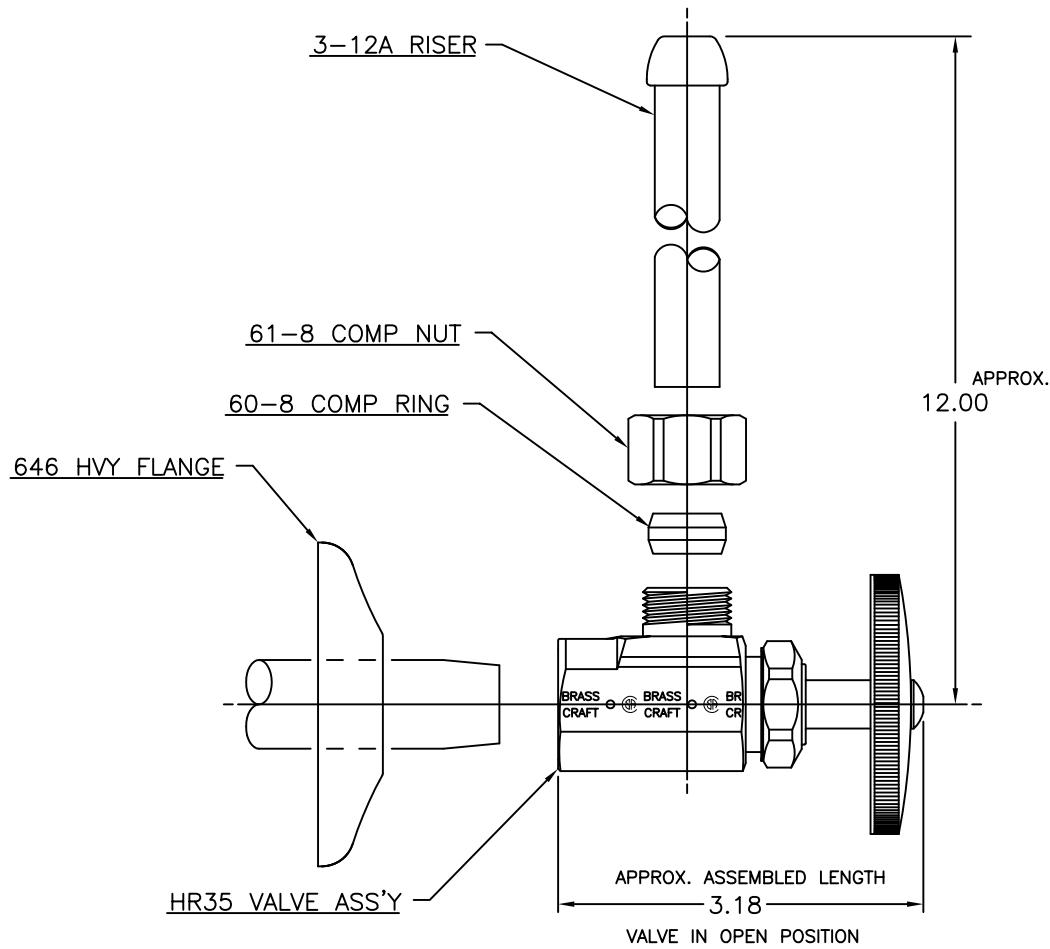


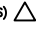

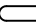


LET.	DATE	PER	BY	CHANGE
C	5/9/03	WFT	MJP	REVISED & UPDATED



 BrassCraft A Masco Company NOVI, MICHIGAN	DESCRIPTION 3/8 FIP X 1/2 OD COMP HVY PTRN VALVE W/RISER (SUBMITTAL)		DRAWING NO. VPA0648C		
	DRAWN PERNAK	DATE: 11/13/2002	MATERIAL	ITEM DESCRIPTION HR3512AZ	
	CHK'D. Klimkie	DATE: 05/13/2003	VOLUME	ITEM ID HR3512AZ C	
	ALL GD'T PER ANSI STD Y14.5M CLASSIFICATION OF QUALITY LEVELS		APP'D. DATE:	UNITS INCH	
KPC (KEY PRODUCT CHARACTERISTICS) 		NOTE: UNLESS OTHERWISE SPECIFIED TWO PLACE DECIMALS +/- .010 THREE PLACE DECIMALS +/- .005 ANGULARITY +/- 1°		SCALE: (UNLESS NOTED) FULL	
STPC (STANDARD PRODUCT CHARACTERISTICS) 		SIZE 		REV. C	
PRODUCT MARKINGS 					

This drawing and all data contained herein is the confidential and exclusive property of BrassCraft Manufacturing, and shall not be disclosed to others without the written consent of BrassCraft. This drawing must be returned to BrassCraft if requested.