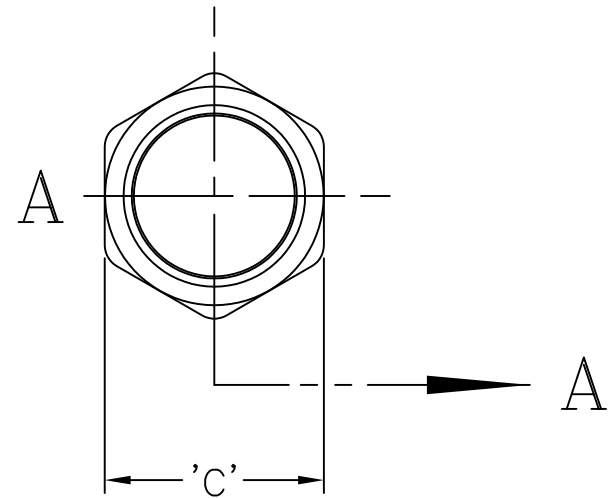
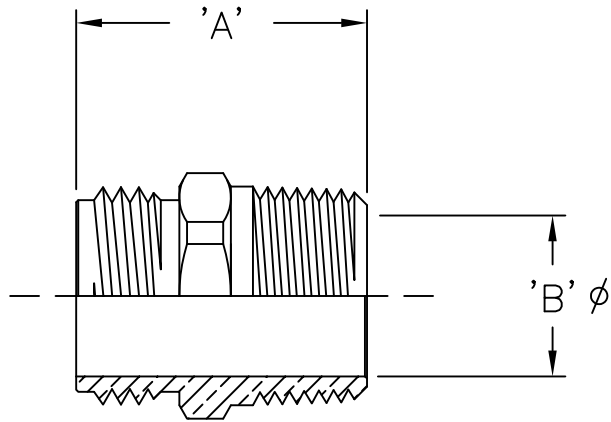


LET.	DATE	PER	BY	CHANGE
B	8/15/06	JPS	KAK	REVISED & UPDATED



ITEM I.D. (BRASS)	ITEM I.D. (CHROME)	PIPE THREAD	HOSE THREAD	DIM 'A'	DIM 'B'	DIM 'C'
HU22-8-12 B	HU22-8-12 C	1/2-14	3/4-11-1/2	1.29	.561	1-1/16
HU22-12-12 B	-	3/4-14	3/4-11-1/2	1.41	.781	1-1/8



NOVI, MICHIGAN	
ALL GDT PER ANSI STD Y14.5M CLASSIFICATION OF QUALITY LEVELS	
CLASS	SYMBOL
KPC (KEY PRODUCT CHARACTERISTICS)	◇
STPC (STANDARD PRODUCT CHARACTERISTICS)	△
PRODUCT MARKINGS	○

DESCRIPTION MALE HOSE X MIP HOSE FITTING (SUBMITTAL)	
DRAWN PERNAK	DATE: 08/19/2005
CHK'D. Schutte	DATE: 08/16/2006
APP'D.	DATE:
NOTE: UNLESS OTHERWISE SPECIFIED TWO PLACE DECIMALS +/- .010 THREE PLACE DECIMALS +/- .005 ANGULARITY +/- 1°	

DRAWING NO. HFU0127B	
ITEM DESCRIPTION HU22-8-12	
ITEM ID HU22-8-12 B SEE CHART	
UNITS INCH	SCALE: (UNLESS NOTED) FULL
REV. B	

This drawing and all data contained herein is the confidential and exclusive property of BrassCraft Manufacturing, and shall not be disclosed to others without the written consent of BrassCraft. This drawing must be returned to BrassCraft if requested.

