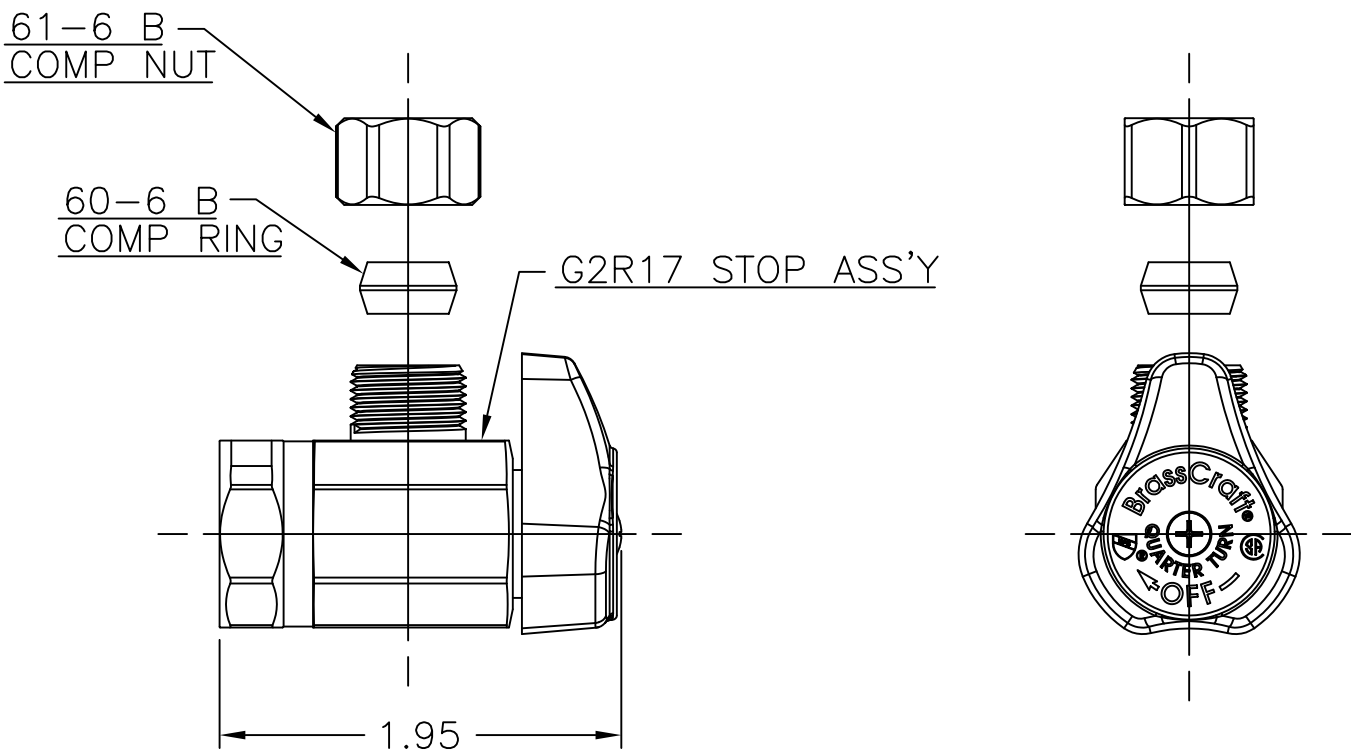


LET.	DATE	PER	BY	CHANGE
A	9/16/05	JPS	JPS	RELEASE



ITEM I.D.	
ROUGH	CHROME
G2R17 R	G2R17 C

BrassCraft
A Masco Company
NOVI, MICHIGAN

DESCRIPTION 1/2 FIP X 3/8 OD COMP QUARTER TURN ANGLE STOP (SUBMITTAL)		DRAWING NO. VPA1030A	
DRAWN DATE: SCHUTTE 09/16/2005 CHK'D. DATE: Pernak 09/21/2005 APP'D. DATE:	MATERIAL	ITEM DESCRIPTION G2R17	
ALL GDT PER ANSI STD Y14.5M CLASSIFICATION OF QUALITY LEVELS CLASS SYMBOL KPC (KEY PRODUCT CHARACTERISTICS) STPC (STANDARD PRODUCT CHARACTERISTICS) PRODUCT MARKINGS		VOLUME	ITEM ID G2R17 R SEE CHART
NOTE: UNLESS OTHERWISE SPECIFIED TWO PLACE DECIMALS +/- .010 THREE PLACE DECIMALS +/- .005 ANGULARITY +/- 0° 30'		UNITS INCH	SCALE: (UNLESS NOTED) FULL REV. A

This drawing and all data contained herein is the confidential and exclusive property of BrassCraft Manufacturing, and shall not be disclosed to others without the written consent of BrassCraft. This drawing must be returned to BrassCraft if requested.