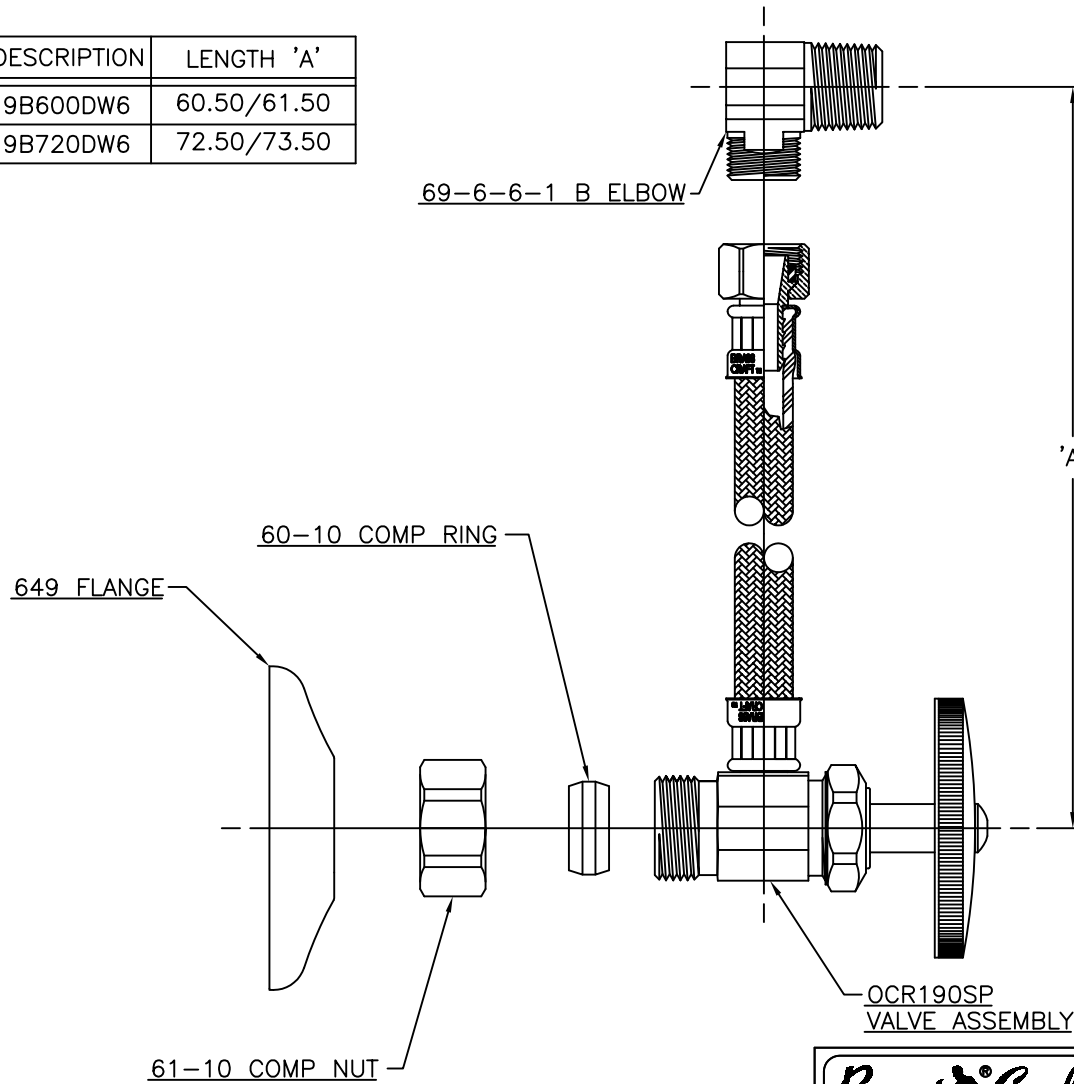


ITEM I.D.	ITEM DESCRIPTION	LENGTH 'A'
OCR19B600DW6 C	OCR19B600DW6	60.50/61.50
OCR19B720DW6 C	OCR19B720DW6	72.50/73.50

LET.	DATE	PER	BY	CHANGE
A	11/5/07	JPS	KAK	RELEASE



**BrassCraft**  
A Masco Company  
NOVI, MICHIGAN

This drawing and all data contained herein is the confidential and exclusive property of BrassCraft Manufacturing, and shall not be disclosed to others without the written consent of BrassCraft. This drawing must be returned to BrassCraft if requested.

ALL GD&T PER ANSI STD Y14.5M  
CLASSIFICATION OF QUALITY LEVELS

CLASS SYMBOL  
KPC (KEY PRODUCT CHARACTERISTICS)  $\diamond$

SIPC (STANDARD PRODUCT CHARACTERISTICS)  $\triangle$

PRODUCT MARKINGS  $\text{---}$

DESCRIPTION  
1/2 NOM COMP X 3/8 OD COMP  
POLYMER DISHWASHER RISER (SUBMITTAL)

DRAWN DATE:  
KLIMKIE 11/05/2007

CHK'D. DATE:  
Schutte 11/07/2007

APP'D. DATE:

NOTE: UNLESS OTHERWISE SPECIFIED  
TWO PLACE DECIMALS +/- .010  
THREE PLACE DECIMALS +/- .005  
ANGULARITY +/- 1°

DRAWING NO.  
VPA1108A

ITEM DESCRIPTION  
OCR19B600DW6  
SEE CHART

ITEM ID  
OCR19B600DW6 C  
SEE CHART

UNITS INCH  
SCALE: (UNLESS NOTED) FULL  
REV. A

SIZE B