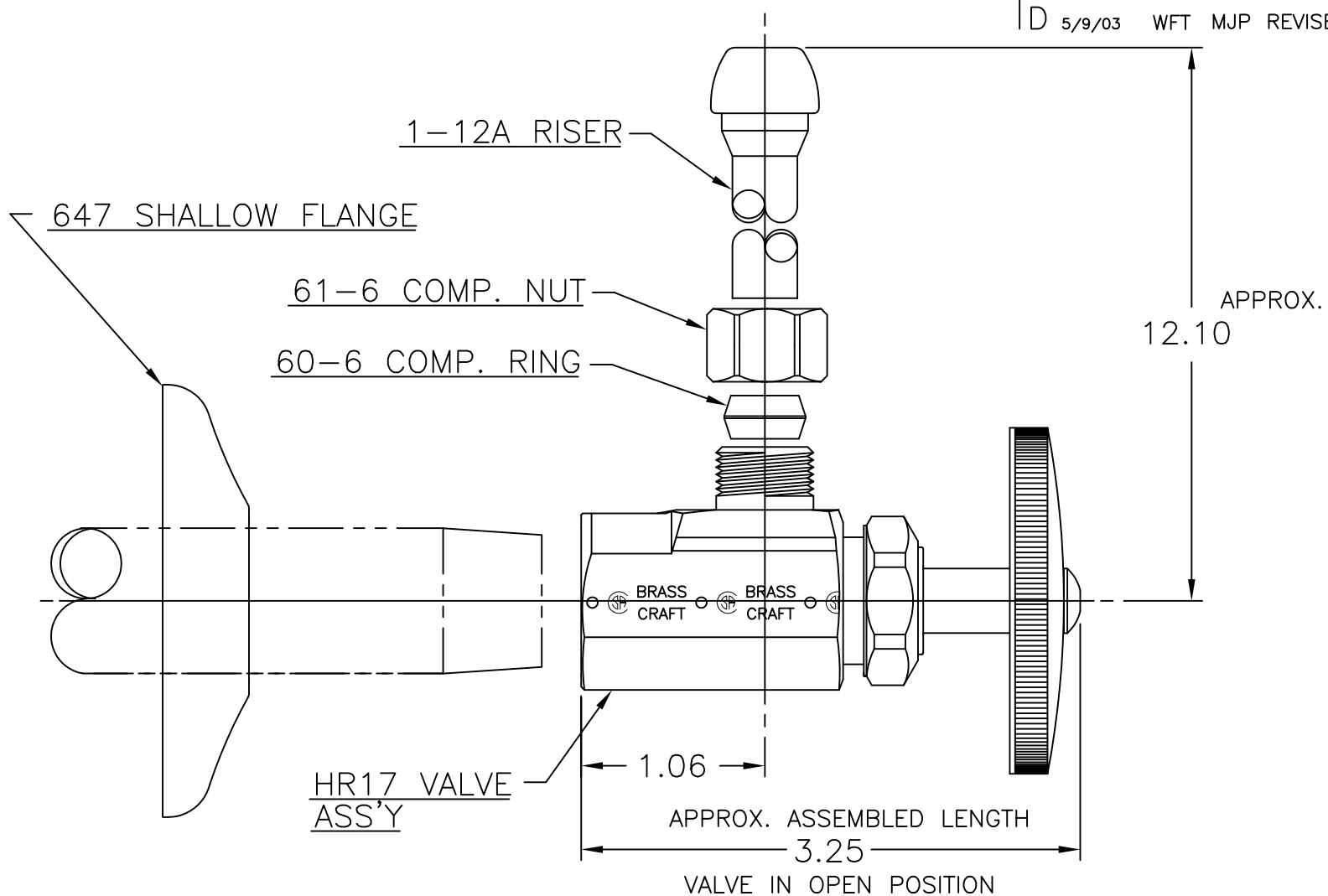


LET.	DATE	PER	BY	CHANGE
D	5/9/03	WFT	MJP	REVISED & UPDATED



DESCRIPTION
1/2 FIP X 3/8 OD COMP HWY PTRN
VALVE W/RISER (SUBMITTAL)

DRAWING NO.
VPA0553D

DRAWN
PERNAK 11/13/2002

DATE:
11/13/2002

ITEM DESCRIPTION
HR1712AZ

CHK'D.
Klimkie 05/13/2003

DATE:
05/13/2003

ITEM ID
HR1712AZ C

APP'D.
DATE:

VOLUME

This drawing and all data contained herein is the confidential and exclusive property of BrassCraft Manufacturing, and shall not be disclosed to others without the written consent of BrassCraft. This drawing must be returned to BrassCraft if requested.

CLASS	SYMBOL
KPC (KEY PRODUCT CHARACTERISTICS)	◇
STPC (STANDARD PRODUCT CHARACTERISTICS)	△
PRODUCT MARKINGS	○

NOTE: UNLESS OTHERWISE SPECIFIED
TWO PLACE DECIMALS +/- .010
THREE PLACE DECIMALS +/- .005
ANGULARITY +/- 1°



UNITS
INCH

SCALE:
(UNLESS NOTED)
FULL

REV.
D