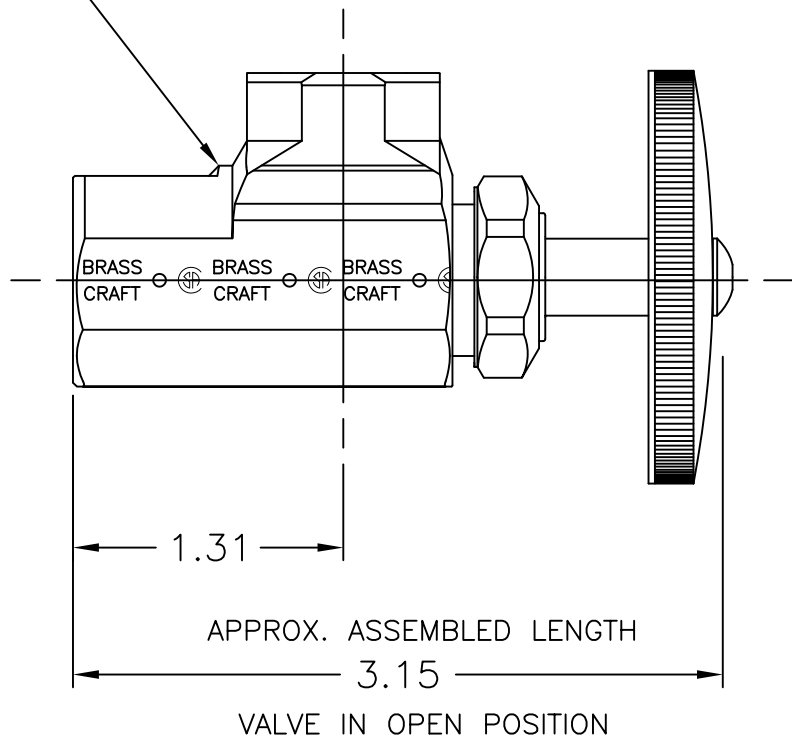


LET.	DATE	PER	BY	CHANGE
B	3/12/03	WFT	MJP	REVISED & UPDATED

HR87 VALVE ASSEMBLY



<p>NOVI, MICHIGAN</p> <p>ALL GDT PER ANSI STD Y14.5M CLASSIFICATION OF QUALITY LEVELS</p> <p>CLASS SYMBOL</p> <p>KPC (KEY PRODUCT CHARACTERISTICS) </p> <p>STPC (STANDARD PRODUCT CHARACTERISTICS) </p> <p>PRODUCT MARKINGS </p>	DESCRIPTION		DRAWING NO.		
	1/2 FIP X 1/2 FIP HVY PTRN VALVE (SUBMITTAL)		VPA0674B		
	DRAWN: PERNAK DATE: 3/12/2003 CHK'D: Klimkie DATE: 04/11/2003 APP'D. _____ DATE: _____	MATERIAL	ITEM DESCRIPTION		
	VOLUME	HR87Z		ITEM ID	
NOTE: UNLESS OTHERWISE SPECIFIED TWO PLACE DECIMALS +/- .010 THREE PLACE DECIMALS +/- .005 ANGULARITY +/- 1°		SIZE	UNITS INCH	SCALE: (UNLESS NOTED) FULL	REV. B

This drawing and all data contained herein is the confidential and exclusive property of BrassCraft Manufacturing, and shall not be disclosed to others without the written consent of BrassCraft. This drawing must be returned to BrassCraft if requested.