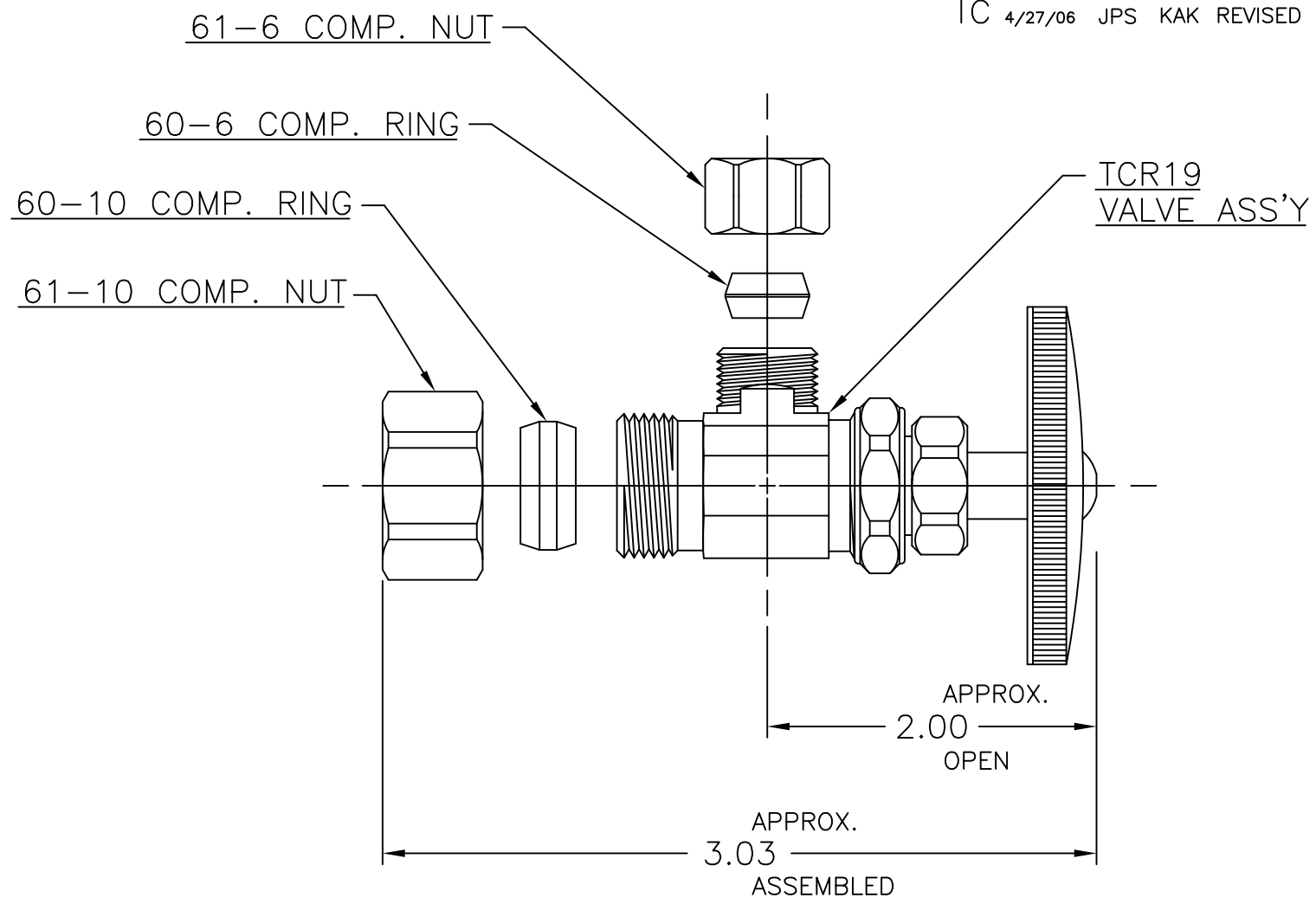


LET.	DATE	PER	BY	CHANGE
C	4/27/06	JPS	KAK	REVISED & UPDATED



NOVI, MICHIGAN

ALL GDT PER ANSI STD Y14.5M
CLASSIFICATION OF QUALITY LEVELS

CLASS	SYMBOL
KPC (KEY PRODUCT CHARACTERISTICS)	◇
STPC (STANDARD PRODUCT CHARACTERISTICS)	△
PRODUCT MARKINGS	○

DESCRIPTION
1/2 NOM COMP X 3/8 OD COMP VALVE W/STUFFING BOX (SUBMITTAL)

DRAWN DATE: MATERIAL
PERNAK 1/8/2003

CHK'D. DATE:
Schutte 04/27/2006

APP'D. DATE:

NOTE: UNLESS OTHERWISE SPECIFIED
TWO PLACE DECIMALS +/- .010
THREE PLACE DECIMALS +/- .005
ANGULARITY +/- 1°

DRAWING NO.
VPA0624C

ITEM DESCRIPTION
TCR19

ITEM ID
TCR19 C

This drawing and all data contained herein is the confidential and exclusive property of BrassCraft Manufacturing, and shall not be disclosed to others without the written consent of BrassCraft. This drawing must be returned to BrassCraft if requested.

SIZE
A

UNITS
INCH

SCALE:
(UNLESS NOTED)
FULL

REV.
C